

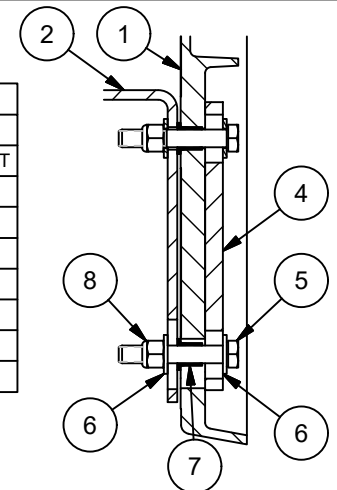
3 1/2" OD OUTDOOR BASKETBALL GOOSENECK w/ 3' OFFSET

IMPORTANT:

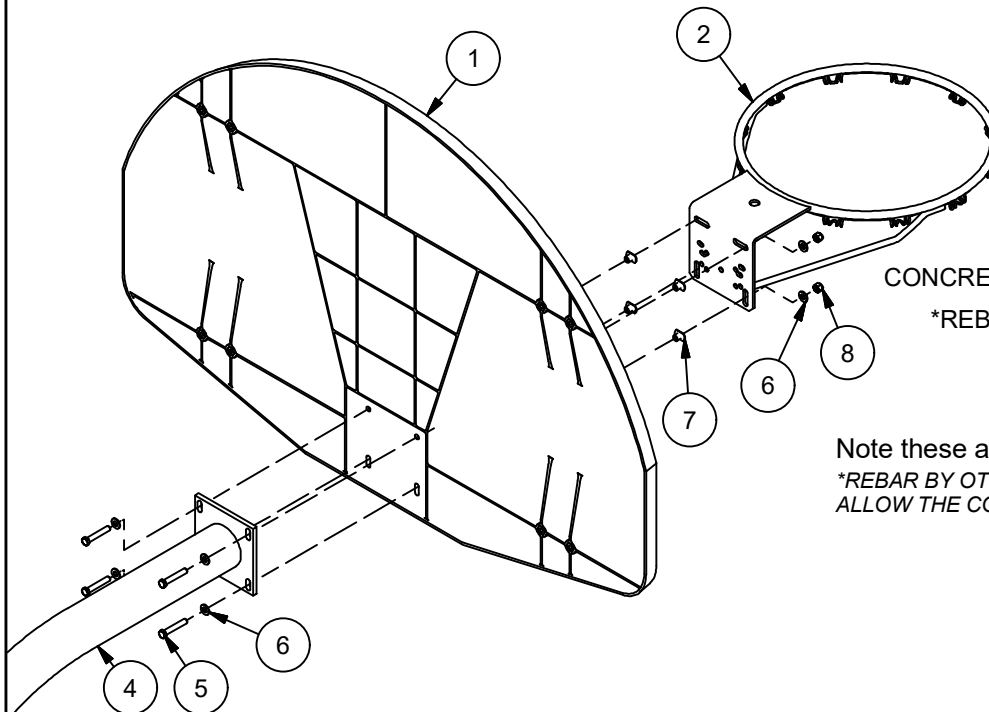
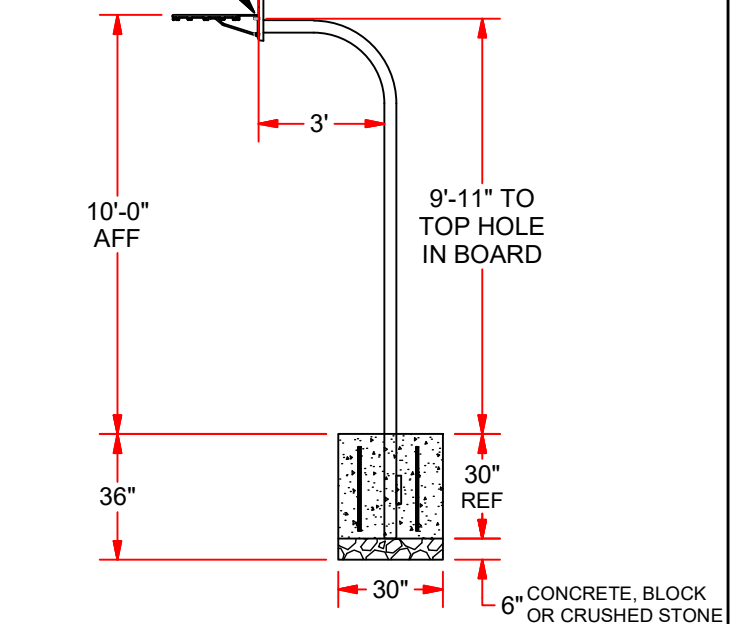
- 1) For safe operation and continued high performance from this equipment, inspection and maintenance must be performed before each use.
- 2) Use of this equipment other than intended may be hazardous.
- 3) Alteration or modification of equipment may be hazardous. For repair or replacement, please call your dealer.

Mount backboard to plate on the upright using the 3/8" tee nuts (7) as shown in the illustration. Then mount the goal over the 3/8" tee nuts and secure with 3/8" locknuts and 3/8" flat washers. This will allow you to remove the goal without removing the backboard.

Parts List For One			
ITEM	QTY	PART #	DESCRIPTION
1	1	ALB-24BT	FAN ALUMINUM BACKBOARD W/ TARGET
2	1	GB-55	SINGLE RIM GOAL
3	1	JNY-4HP	BASKETBALL GOAL NET
4	1	455U	UPRIGHT 455
5	4	HS2870	3/8-16 x 2-1/4 HEX CAP SCREW
6	8	HW2050	3/8 WASHER
7	4	HN5040	3/8-16 TEE NUT
8	4	HN265	3/8-16 NYLON LOCK NUT



SECTION A-A



Note these are suggested dimensions for average soil conditions, consult local building codes.
 *REBAR BY OTHERS (3/4" REBAR x 24" LONG, 4 PLACES PER FOOTING)
 ALLOW THE CONCRETE TO FULLY CURE, PER MANUFACTURERS' INSTRUCTIONS (NO LESS THAN 48 HRS).

	MODEL NUMBER: 455-FABT-SR	CHECKED BY: WVB
	PRODUCT NAME: 3 1/2" GOOSENECK SYSTEM	
976 Hartford Turnpike Waterford, CT 06385 USA (800)243-0533 Fax: (800)988-3363 www.jaypro.com	EFFECTIVE DATE: 4/18/2018	DRAWN BY: Moune T.