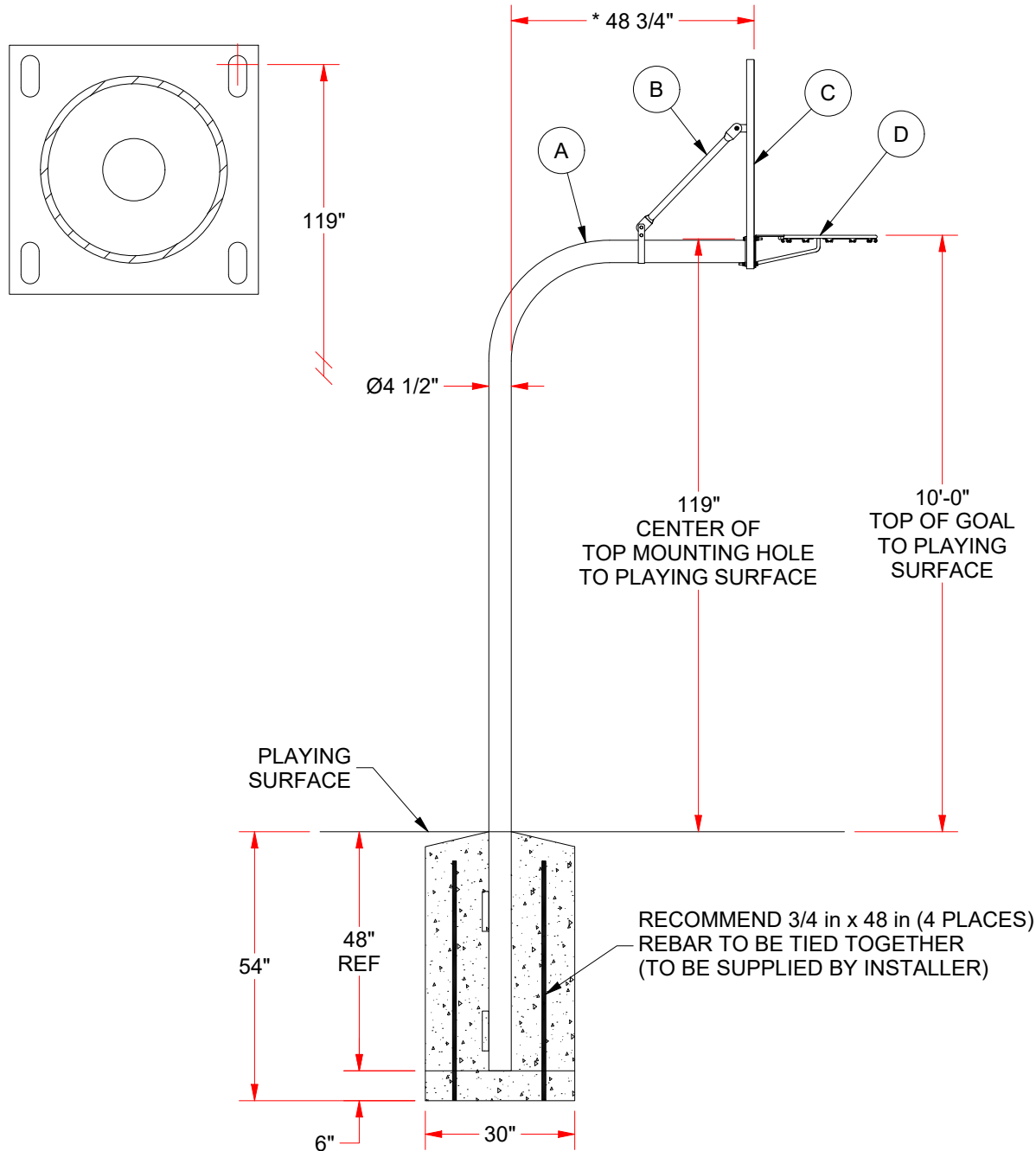


MODEL 996

4 1/2" ROUND POST 4 FOOT EXTENSION, DIRECT MOUNT



IMPORTANT NOTICE:

- 1) EQUIPMENT SHOULD BE CHECKED REGULARLY FOR PROPER CONNECTING HARDWARE AND STRUCTURAL INTEGRITY. REPLACE ANY DAMAGED OR MISSING HARDWARE IMMEDIATELY.
- 2) USE OF THE EQUIPMENT OTHER THAN INTENDED, MAY BE HAZARDOUS.
- 3) ALTERATION OR MODIFICATION OF THIS EQUIPMENT MAY BE HAZARDOUS AND RESULT IN INJURY. FOR REPAIR OR REPLACEMENT, CONTACT JAYPRO SPORTS.

* ACTUAL DIMENSION MAY VARY DEPENDING ON CHOICE OF BACKBOARD USED.

CHECK LOCAL BUILDING CODES BEFORE STARTING THE FOOTING, AS BUILDING CODES MAY VARY. LOCAL BUILDING CODES SHOULD BE ADHERED TO IF REQUIREMENTS ARE GREATER THAN THOSE OUTLINED HERE.

NOTES:

- 1) BACKBOARD VARIES PER CUSTOMER ORDER. FOR CUSTOMERS WHO ORDERED BRACES FOR THEIR FAN BOARDS (ALB-24BT) SEE LAST PAGE.
- 2) GOAL VARIES PER CUSTOMER ORDER.
- 3) HARDWARE KIT 996BK INCLUDES BRACES, BRACKETS & BAND CLAMP FOR ALL UNITS.

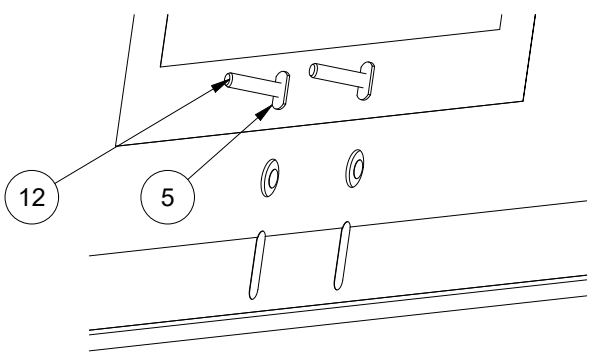
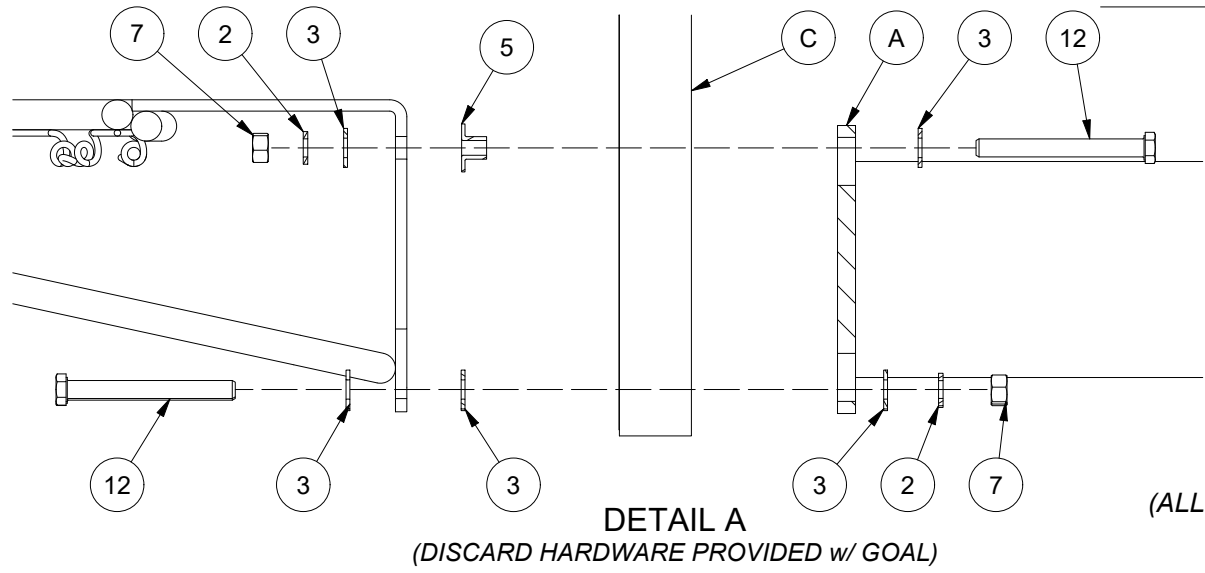
Typical Parts List for 996 Units

ITEM	QTY	PART #	DESCRIPTION
A	1	996U	GOOSENECK UPRIGHT
B	1	996BK	HARDWARE KIT
C	1	SEE NOTE 1	BACKBOARD
D	1	SEE NOTE 2	GOAL

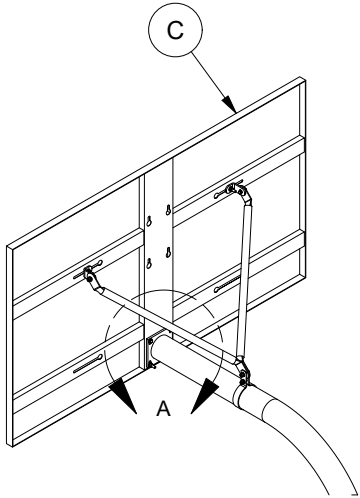
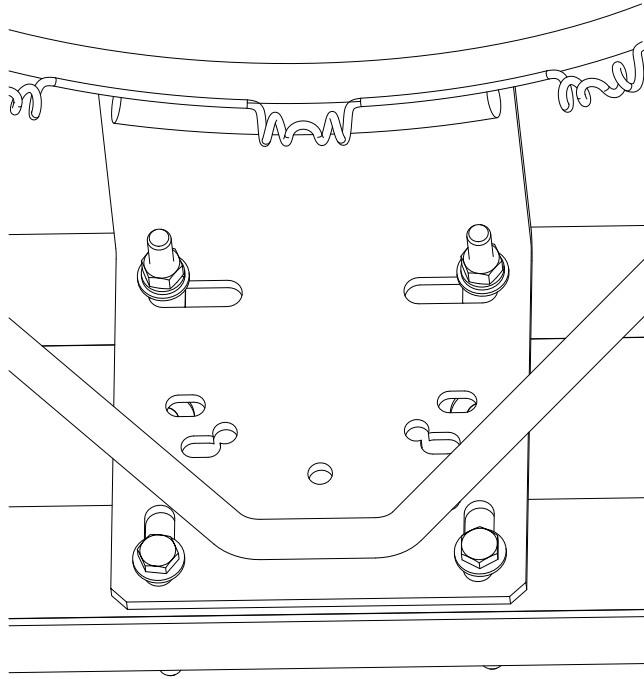
<p style="font-size: 8px; margin-top: 5px;">976 Hartford Turnpike Waterford, CT 06385 USA (800)243-0533 Fax: (800)988-3363 www.jaypro.com</p>	MODEL NUMBER: 996		CHECKED BY: WVB	
	PRODUCT NAME: 996 INSTALLATION INSTRUCTIONS			
DATE: 10/29/2019	REV: -	DRAWN BY: Moune T.	SHEET: 1 OF 5	

TYPICAL GOAL ATTACHMENT

BACKBOARD: 850RB-BB, SR-PERF, AL-PERF or ACRB-72




BACKBOARD TEE NUTS
(ALLOWS GOAL REMOVAL w/ BACKBOARD ON GOOSENECK)



NOTES:

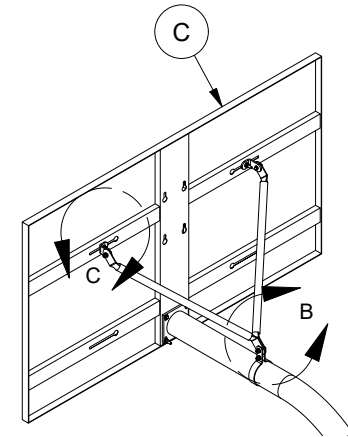
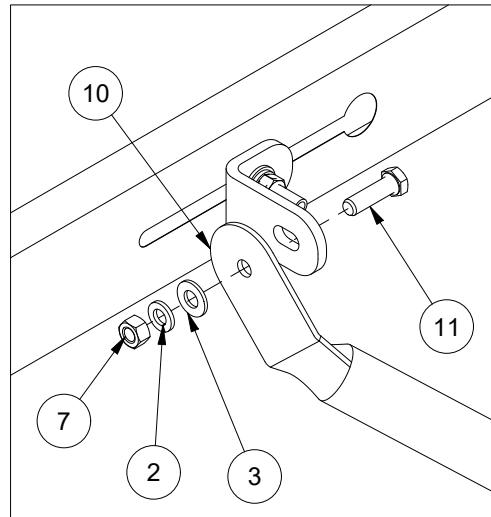
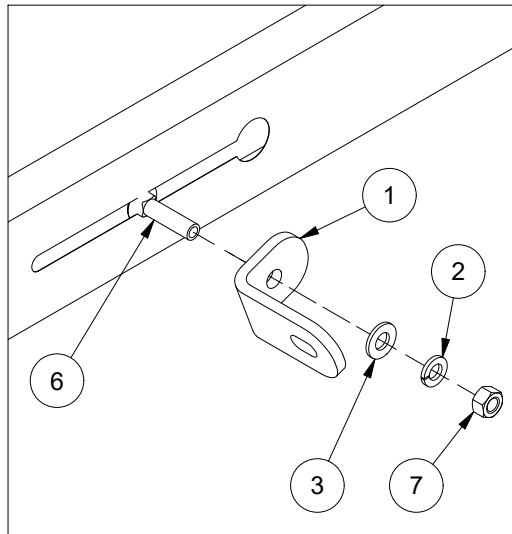
- 1) BACKBOARD VARIES PER CUSTOMER ORDER.
- 2) GOAL VARIES PER CUSTOMER ORDER.
- 3) HARDWARE LISTED BELOW IS FOR TYPICAL GOAL ATTACHMENT. FAN BACKBOARD USES SHORTER HARDWARE BOLTS.

Part List for Typical Goal Attachment			
ITEM	QTY	PART #	DESCRIPTION
2	10	HW334	3/8 LOCK WASHER-ZP-GrNC
3	16	HW2050	3/8 STD WASHER-ZP-GrNC
5	2	HN5040	3/8-16 SLABBASE TEE NUT 18-8 SS
7	10	HN264	3/8 - 16 Hex Nut - ZP - GrNC
12	4	HS5388	3/8-16 x 3 1/2" GRD5 FULL THRD HX HD ZP

	MODEL NUMBER:	996	CHECKED BY:	WVB
	PRODUCT NAME:	996 INSTALLATION INSTRUCTIONS		
976 Hartford Turnpike Waterford, CT 06385 USA (800)243-0533 Fax: (800)988-3363 www.jaypro.com	DATE:	10/29/2019	REV:	-
	DRAWN BY:	Moune T.	SHEET:	2 OF 5

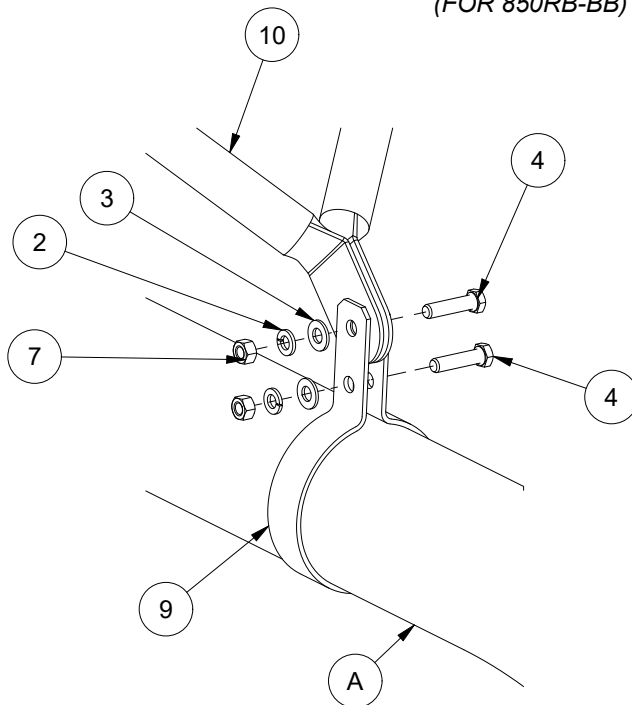
42" RECTANGULAR STEEL BACKBOARD

BACKBOARD: 850RB-BB



BACKBOARD:
850RB-BB (42" Rectangular Steel Backboard)

DETAIL C
(FOR 850RB-BB)



DETAIL B
(TYPICAL FOR ALL BACKBOARDS)

NOTES:

- 1) BACKBOARD VARIES PER CUSTOMER ORDER.
- 2) GOAL VARIES PER CUSTOMER ORDER.
- 3) HARDWARE LISTED BELOW FOR ATTACHING BRACING.

Parts List For 850RB-BB (42" Rectangular Steel Backboard)			
ITEM	QTY	PART #	DESCRIPTION
1	2	SR5370	850RB-BB MOUNTING TAB
2	10	HW334	3/8 LOCK WASHER-ZP-GrNC
3	16	HW2050	3/8 STD WASHER-ZP-GrNC
4	2	HS288	3/8-16 x 1-1/2 HEX CAP SCREW-ZP-GrNC
6	2	HB5031	3/8-16 x 1-1/2 CARRIAGE BOLT-ZP
7	10	HN264	3/8 - 16 Hex Nut - ZP - GrNC
9	1	BRC45	4 1/2 OD BAND CLAMP
10	2	BRC30	1.315 DIA BB BRACE
11	2	HS287	3/8-16 x 1-1/4 HEX CAP SCREW-ZP-GrNC



976 Hartford Turnpike
Waterford, CT 06385 USA
(800)243-0533 Fax: (800)988-3363
www.jaypro.com

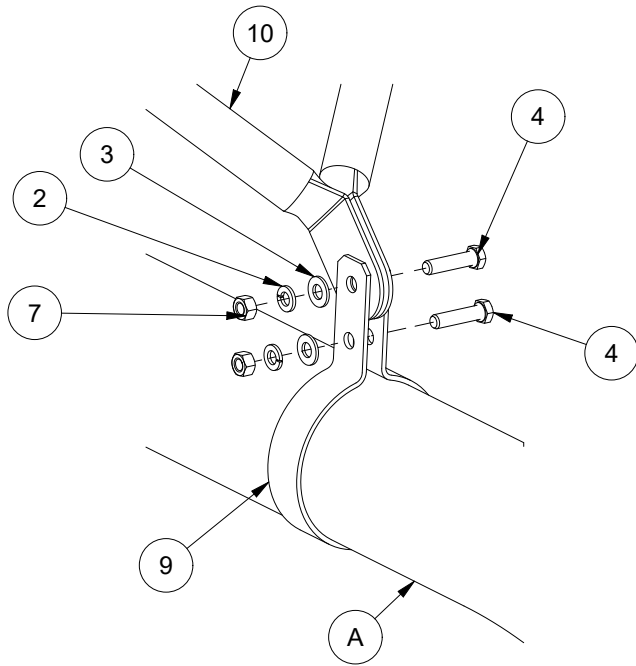
MODEL NUMBER: 996
CHECKED BY: WVB

PRODUCT NAME:
996 INSTALLATION INSTRUCTIONS

DATE: 10/29/2019	REV: -	DRAWN BY: Moune T.	SHEET: 3 OF 5
---------------------	-----------	-----------------------	------------------

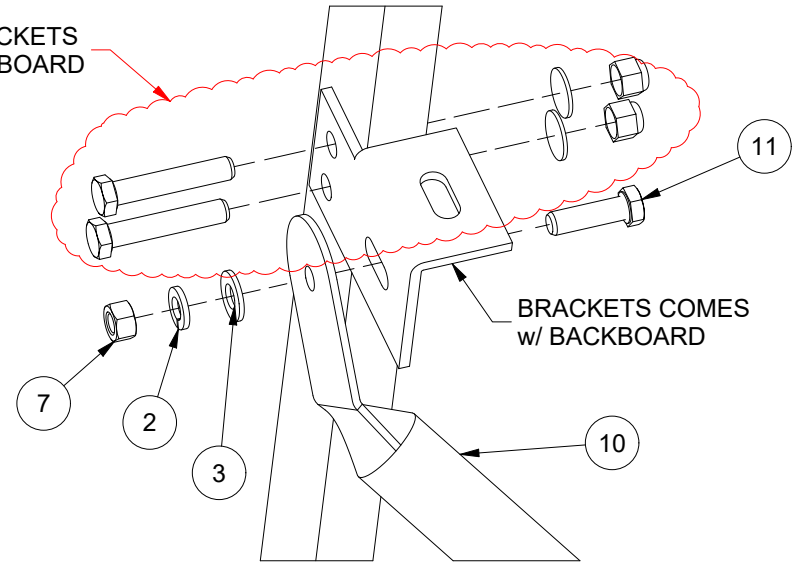
42" RECTANGULAR REAR VERTICAL BACKBOARD MOUNT

BACKBOARD: SR-PERF, AL-PERF or ACRB-72

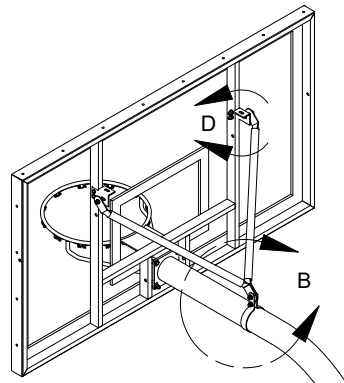


DETAIL B
(TYPICAL FOR ALL BACKBOARDS)

HARDWARE FOR BRACKETS
COMES w/ BACKBOARD



DETAIL D
(FOR SR-PERF, AL-PERF & ACRB-72)




BACKBOARDS:

- SR-PERF (42" Rectangular Perforated Steel Backboard)
- AL-PERF (42" Rectangular Perforated Aluminum Backboard)
- ACRB-72 (42" Rectangular Acrylic Backboard)

NOTES:

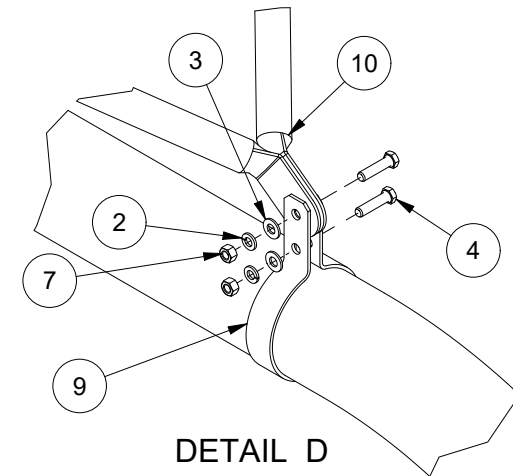
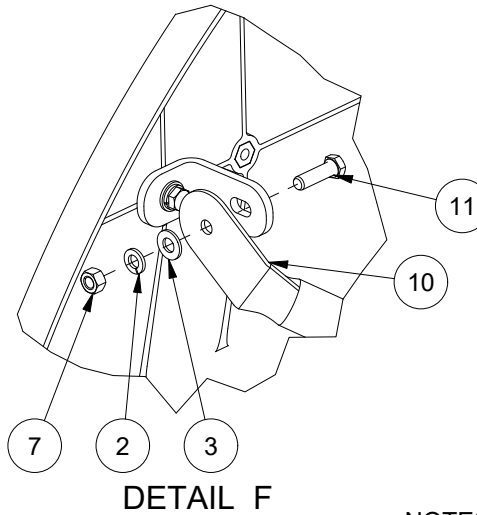
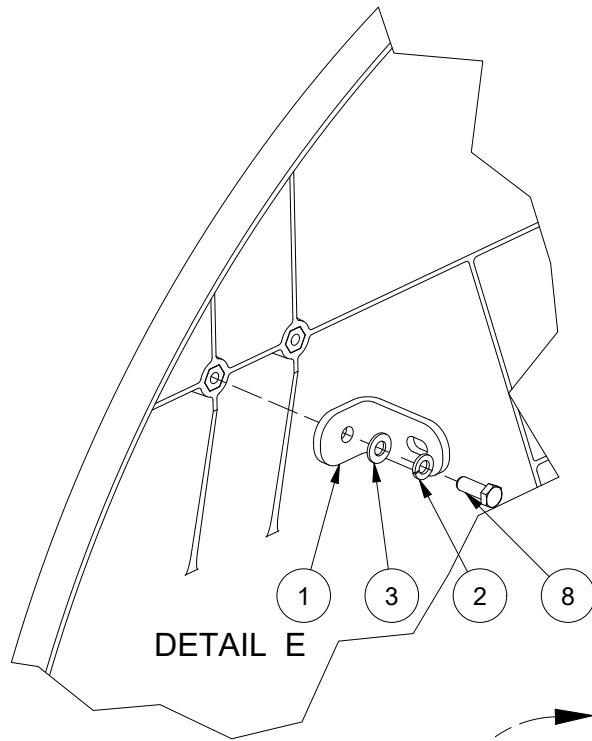
- 1) BACKBOARD VARIES PER CUSTOMER ORDER.
- 2) GOAL VARIES PER CUSTOMER ORDER.
- 3) HARDWARE LISTED BELOW FOR ATTACHING BRACING.

Parts List for attaching rear vertical mount backboards			
ITEM	QTY	PART #	DESCRIPTION
2	10	HW334	3/8 LOCK WASHER-ZP-GrNC
3	16	HW2050	3/8 STD WASHER-ZP-GrNC
4	2	HS288	3/8-16 x 1-1/2 HEX CAP SCREW-ZP-GrNC
7	10	HN264	3/8 - 16 Hex Nut - ZP - GrNC
9	1	BRC45	4 1/2 OD BAND CLAMP
10	2	BRC30	1.315 DIA BB BRACE
11	2	HS287	3/8-16 x 1-1/4 HEX CAP SCREW-ZP-GrNC

 <p>976 Hartford Turnpike Waterford, CT 06385 USA (800)243-0533 Fax: (800)988-3363 www.jaypro.com</p>	MODEL NUMBER: 996	CHECKED BY: WVB	
	PRODUCT NAME: 996 INSTALLATION INSTRUCTIONS		
DATE: 10/29/2019	REV: -	DRAWN BY: Moune T.	SHEET: 4 OF 5

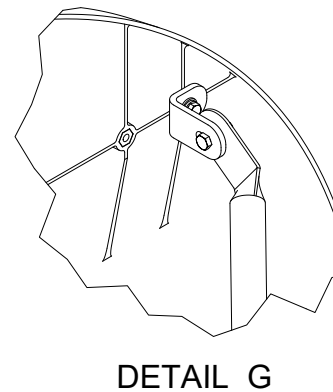
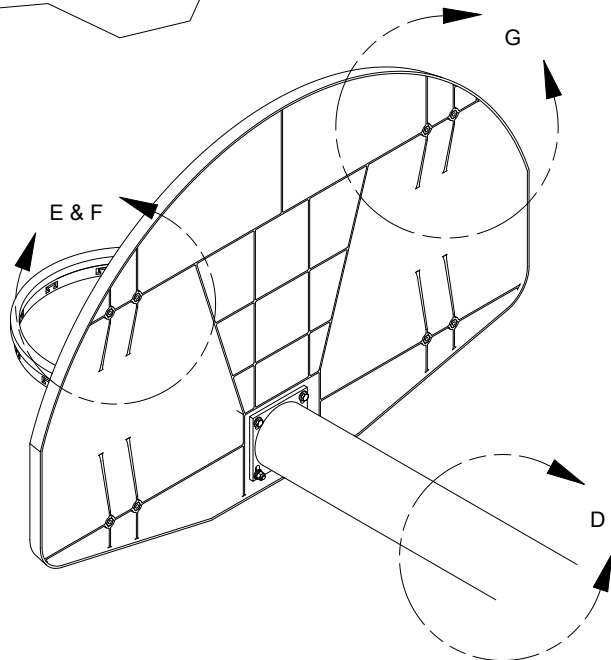
996BK INSTALLATION INSTRUCTIONS FOR THE OPTIONAL BRACE KIT

BACKBOARD: ALB-24BT



NOTES:

- 1) WHEN ATTACHING FAN BOARD, SOME ITEMS MAY NOT BE USED
- 2) HARDWARE BALLOON ITEMS SHOWN FOR ATTACHING BRACING.



Parts List 996BK Hardware Kit			
ITEM	QTY	PART #	DESCRIPTION
1	2	SR5370	850RB-BB MOUNTING TAB
2	10	HW334	3/8 LOCK WASHER-ZP-GrNC
3	16	HW2050	3/8 STD WASHER-ZP-GrNC
4	2	HS288	3/8-16 x 1-1/2 HEX CAP SCREW-ZP-GrNC
5	2	HN5040	3/8-16 SLABBASE TEE NUT 18-8 SS
6	2	HB5031	3/8-16 x 1-1/2 CARRIAGE BOLT-ZP
7	10	HN264	3/8 - 16 Hex Nut - ZP - GrNC
8	2	HS286	3/8-16 x 1 HEX CAP SCREW-ZP-GrNC
9	1	BRC45	4 1/2 OD BAND CLAMP
10	2	BRC30	1.315 DIA BB BRACE
11	2	HS287	3/8-16 x 1-1/4 HEX CAP SCREW-ZP-GrNC
12	4	HS5388	3/8-16 x 3 1/2" GRD5 FULL THRD HX HD ZP



976 Hartford Turnpike
Waterford, CT 06385 USA
(800)243-0533 Fax: (800)988-3363
www.jaypro.com

MODEL NUMBER: 996
CHECKED BY: WVB

PRODUCT NAME:
996 INSTALLATION INSTRUCTIONS

DATE: 10/29/2019
REV: -
DRAWN BY: Moune T.
SHEET: 5 OF 5