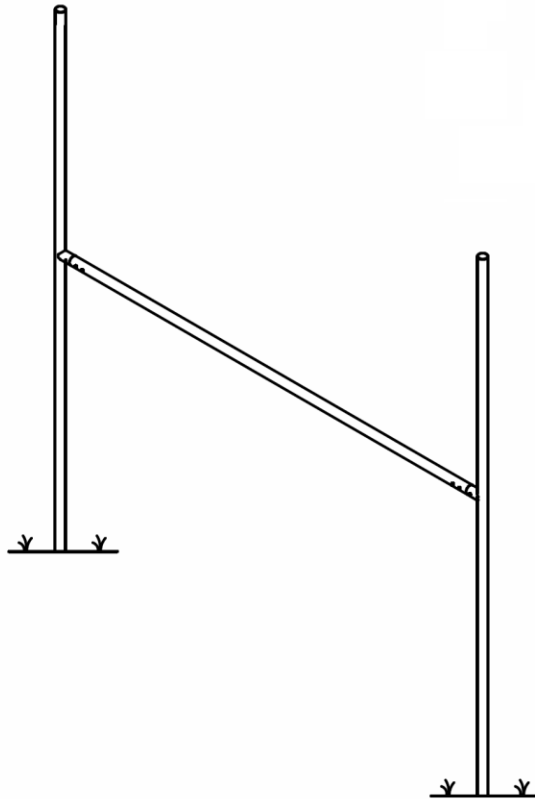




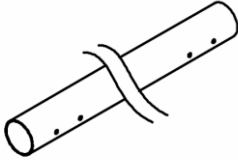
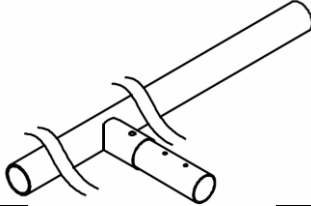
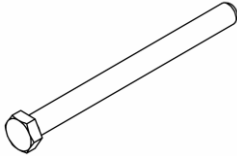
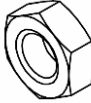

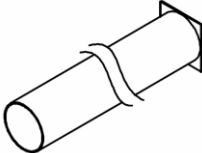
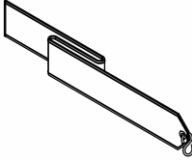
-- HFGP-3 --
-- HIGH SCHOOL FOOTBALL GOAL --
Installation Instructions



Call Jaypro Sports Equipment at 1-800-243-0533 during regular business hours for technical support.

www.jaypro.com

HFGP-3 HIGH SCHOOL FOOTBALL GOAL PARTS LIST (QTY: SINGLE UNIT)

ITEM	IMAGE	DESCRIPTION	QTY
1		HIGH SCHOOL CROSSBAR (P/N: RGP-301)	1
2		HIGH SCHOOL RUGBY UPRIGHT (P/N: RGP-303)	2
3		3/8"-16 x 4-1/2" LONG HEX BOLT (P/N: HS294)	4
4		3/8"-16 THIN NYLON LOCK NUT (P/N: HN1230)	4
5		3/8" WASHER (P/N: HW2047)	8
6		GROUND SLEEVE (OPTIONAL) (P/N: FBSLV4)	1 Pair
7		FLAG WIND STREAMER (OPTIONAL) (P/N: WS-42)	1 Pair
ITEM	IMAGE	DESCRIPTION	QTY

IMPORTANT NOTICE:

- 1) BEFORE EACH USE CHECK EQUIPMENT FOR PROPER CONNECTING HARDWARE AND STRUCTURAL INTEGRITY. REPLACE DAMAGED OR MISSING HARDWARE IMMEDIATELY.
- 2) NEVER ALLOW ANYONE TO CLIMB OR HANG ON THE NET OR GOAL FRAME. AS SERIOUS INJURY OR DAMAGE TO THE EQUIPMENT MAY OCCUR.
- 3) USE OF THIS EQUIPMENT OTHER THAN INTENDED, MAY BE HAZARDOUS.
- 4) ALTERATION OR MODIFICATION OF THIS EQUIPMENT MAY BE HAZARDOUS AND RESULT IN INJURY. FOR REPAIR OR REPLACEMENT, CONTACT YOUR DEALER OR JAYPRO SPORTS.

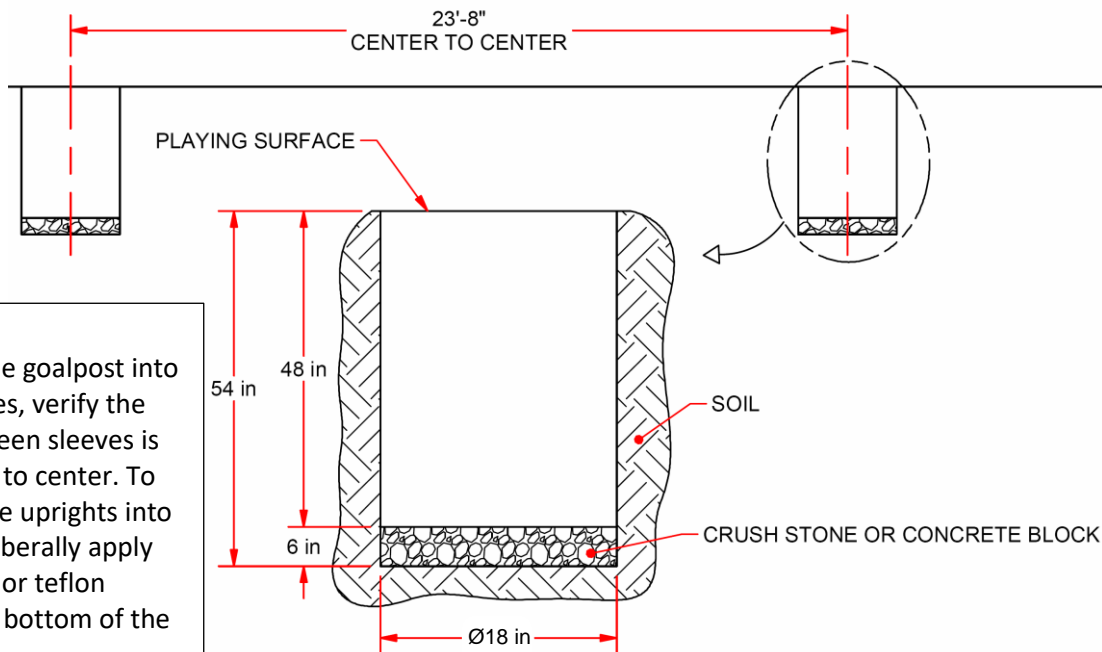
NOTE:

- A. Unpack all parts and check against parts list to ensure that all have been included.
- B. Inspect all parts for damage. Report any damages to the trucking company.

I. Locate and Excavate Footings: (IF INSTALLING GROUND SLEEVES REFER TO SLEEVE INSTRUCTIONS FBSLV4)

NOTE: FOR BEST RESULTS, THIS UNIT SHOULD BE INSTALLED BY A LOCAL CONTRACTOR WHO IS FAMILIAR WITH LOCAL CONDITIONS AND BUILDING CODES.

- 1) The footings as shown represent minimum requirements. Check local building codes before starting the footing. Local building codes should be adhered to if requirements are greater than those outlined here.
- 2) Locate the position of the rugby goal on the field. Layout and excavate the footings as shown below.



IMPORTANT:
If installing the goalpost into pre-set sleeves, verify the spacing between sleeves is 23'-8" center to center. To help insert the uprights into the sleeves, liberally apply some lithium or teflon grease to the bottom of the uprights.

II. Assemble and Install Lower Frame:

- 1) Assemble the lower H-Frame as show.
- 2) Using appropriate handling equipment, lift and place the H-Frame into the footings.
- 3) After plumbing the uprights and leveling the crossbar, securely brace the H-Frame, primarily in the front and back direction.
- 4) Pour the concrete, using a minimum 4,000 psi mix.
- 5) Allow concrete to cure for 48 hours, before installing the top upright.

