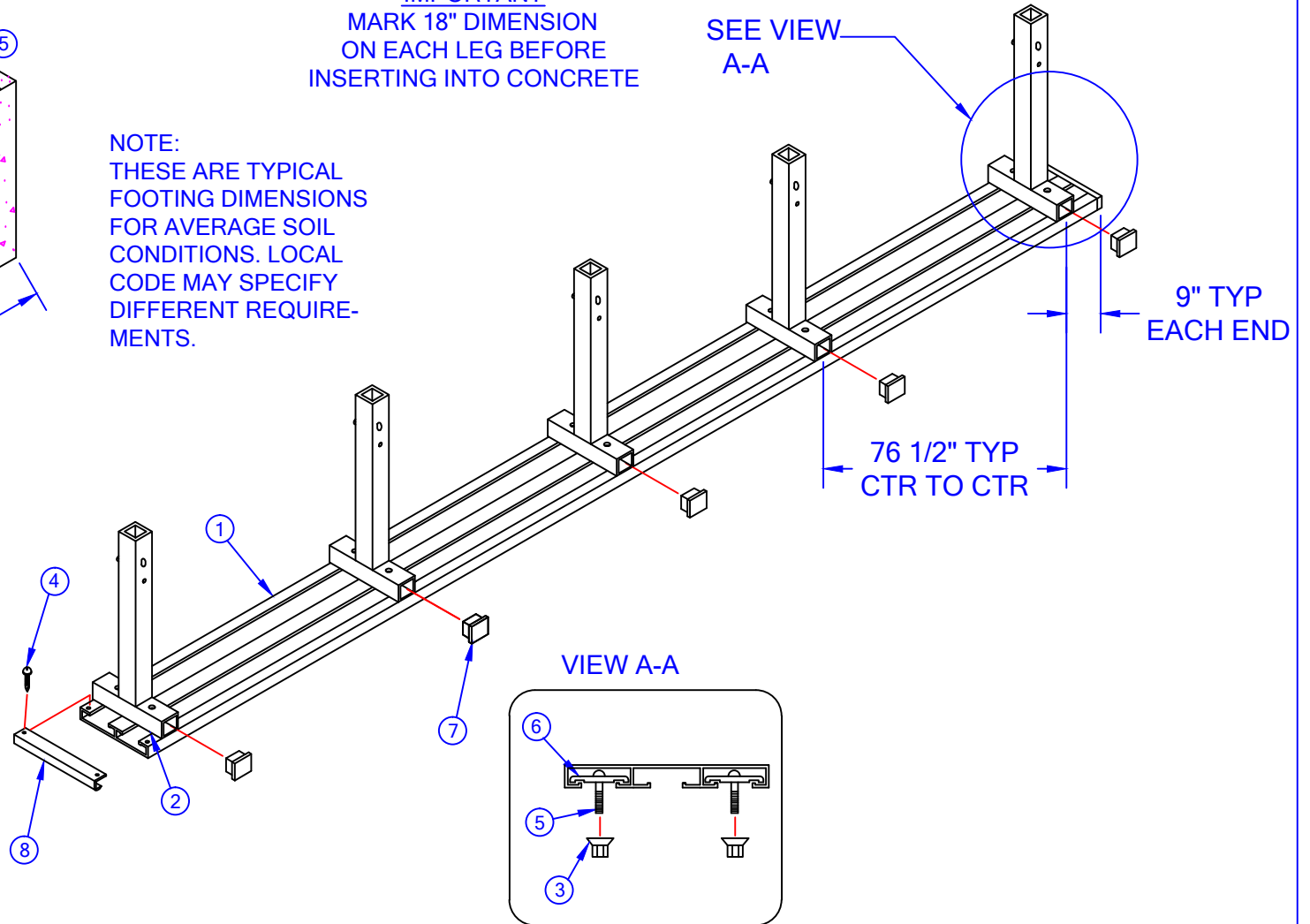


IMPORTANT
 MARK 18" DIMENSION
 ON EACH LEG BEFORE
 INSERTING INTO CONCRETE

NOTE:
 THESE ARE TYPICAL
 FOOTING DIMENSIONS
 FOR AVERAGE SOIL
 CONDITIONS. LOCAL
 CODE MAY SPECIFY
 DIFFERENT REQUIRE-
 MENTS.

SEE VIEW
 A-A



PLEASE NOTE:

- 1) FOR SAFE OPERATION AND CONTINUED HIGH PERFORMANCE FROM THIS EQUIPMENT, INSPECTION AND MAINTENANCE MUST BE PERFORMED BEFORE EACH USE
- 2) USE OF THIS EQUIPMENT OTHER THAN INTENDED, MAY BE HAZARDOUS.
- 3) ALTERATION OR MODIFICATION OF EQUIPMENT MAY BE HAZARDOUS. FOR REPAIR OR REPLACEMENT, PLEASE CALL YOUR DEALER

Jaypro Sports

976 Hartford Turnpike
 Waterford, CT 06385 USA
 (800)243-0533
 (800)988-3363 Fax
 www.jaypro.com

MODEL NO.:
PB-95PI

PRODUCT NAME:
 27' PERMANENT PLAYERS BENCH

DRAWN BY: M T **EFFECTIVE DATE:**
 1/24/2011

JAYPRO SPORTS

27' PERMANENT PLAYER'S BENCH, PB-95PI LIST OF MATERIALS

<u>PIECE NO.</u>	<u>PART NO.</u>	<u>DESCRIPTION</u>	<u>QTY.</u>
1	AR5111	SEAT PLANK 27'	1
2	PB-L	BENCH LEG PERMANENT	5
3	HN5046	5/16" FLANGE NUT	15
4	HS5035	#8 PAN HEAD SCREW x 1/2"	4
5	HB5030	5/16"-18 x 3" CARRIAGE BOLT	15
6	AR5044	HOLD DOWN CLIP	10
7	EP0018	2" x 2" END PLUG	10
8	AR5045A	END CAP	2

ASSEMBLY INSTRUCTIONS

TOOLS REQUIRED: PHILLIPS SCREWDRIVER BIT WITH ELECTRIC DRILL (1),
1/2" SOCKET WRENCH OR ADJUSTABLE WRENCH

- 1) Slip the end caps (8) snugly onto each end of the plank (1). Using the electric drill, assemble a self-drilling screw (4) through the cap and into the flange of the plank. Two screws are required per end cap.
- 2) For easiest assembly, position seat plank (1) on a level raised surface such as a desk top, bleacher seat or work bench. Place the carriage bolt (5) and bolt clips (6) approximately into place within the slots of the plank. Note that the legs should be no more than 8" from the plank edge or 9" from edge to center leg. Also assemble a bolt (5) and nut (3) through the lowest hole of the leg extension to help lock the leg in the footing.
- 3) Position the legs as shown and loosely assemble the hardware illustrated in 'detail a-a'. Do not fully tighten the hardware at this time.
- 4) Stand the unit upright level the bench and make sure the legs are adequately spaced apart. Tighten all fasteners fully.
- 5) Locate your bench and dig footings to the dimensions shown on the illustration. Mark each leg at 18" from bottom of leg.
- 6) Fill in footings with concrete, then, lower assembled bench into the footings. Block up under bench to support the bench at the mark on each leg. Level seat plank and adjust bench as necessary.
- 7) Allow footings to cure at least 72 hours before removing the supports or using the bench.