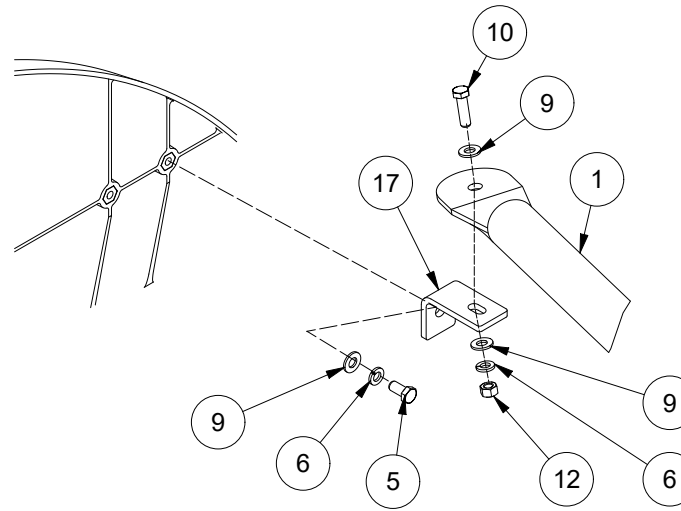
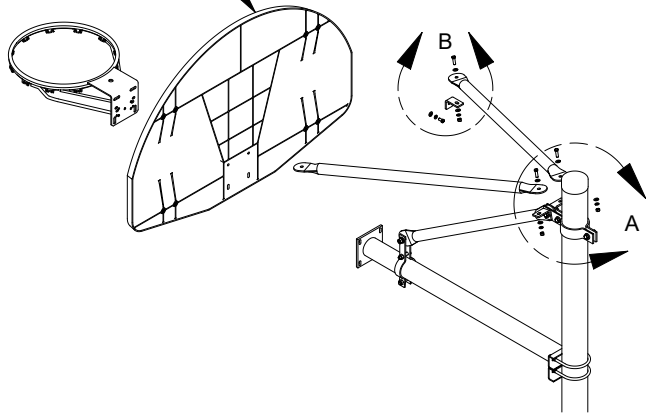


976 Hartford Turnpike  
 Waterford, CT 06385 USA  
 (800)243-0533 Fax: (800)988-3363  
 www.jaypro.com

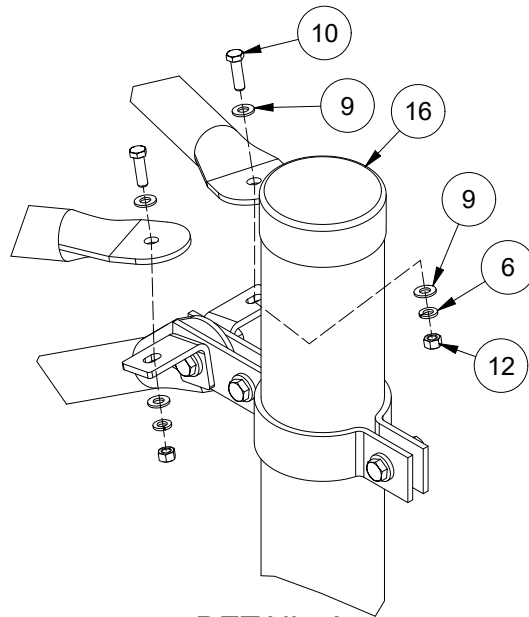
MODEL NUMBER: SPA4	CHECKED BY: WVB		
PRODUCT NAME: 4 FT EXTENDED SINGLE BACKSTOP FOR RECTANGULAR & FAN SHAPED BACKBOARDS			
DATE: 6/19/2019	REV: A	DRAWN BY: Moune T.	SHEET: 2 OF 5

ALB-24BT  
BACKBOARD



**DETAIL B**  
(FAN BACKBOARD ONLY)

NOTE: GOAL HARDWARE IS SUPPLIED WITH GOAL, SEE GOAL INSTALLATION.



**DETAIL A**  
(TYPICAL ALL BACKBOARDS)

ITEM	QTY	PART NUMBER	DESCRIPTION
1	2	SP-4BK-48.5	SPA 4' UPPER BRACE ARM 48 1/2" L
2	1	SP-4BK-45.5	SPA 4' CENTER BRACE ARM 45 1/2" L
3	8	HN704	1/2 - 13 Hex Nut - ZP - GrNC
4	4	HS5113	1/2-13 x 2 HEX CAP SCREW-ZP-GrNC
5	2	HS743	3/8-16 x 3/4 HEX CAP SCREW-ZP-GrNC
6	6	HW334	3/8 LOCK WASHER-ZP-GrNC
7	8	HW1245	1/2 LOCK WASHER-ZP-GrNC
8	2	HB5031	3/8-16 x 1-1/2 CARRIAGE BOLT-ZP
9	10	HW2050	3/8 STD WASHER-ZP-GrNC
10	4	HS287	3/8-16 x 1-1/4 HEX CAP SCREW-ZP-GrNC
11	12	HW2044	1/2 SAE WASHER-ZP-GrNC
12	6	HN264	3/8 - 16 Hex Nut - ZP - GrNC
13	1	SF5018	3" DOUBLE BOLT PIPE CLAMP EG FOR 3 1/2"
14	2	SF5024	1/2 CLAMP SPA-4U SINGLE SIDE
15	2	HB5064	4" U-BOLT (FOR 4 1/2" OD) ZP
16	1	EC0030	4.5" Top Cap
17	4	SP43	ANGLE BRACKET SPA SERIES

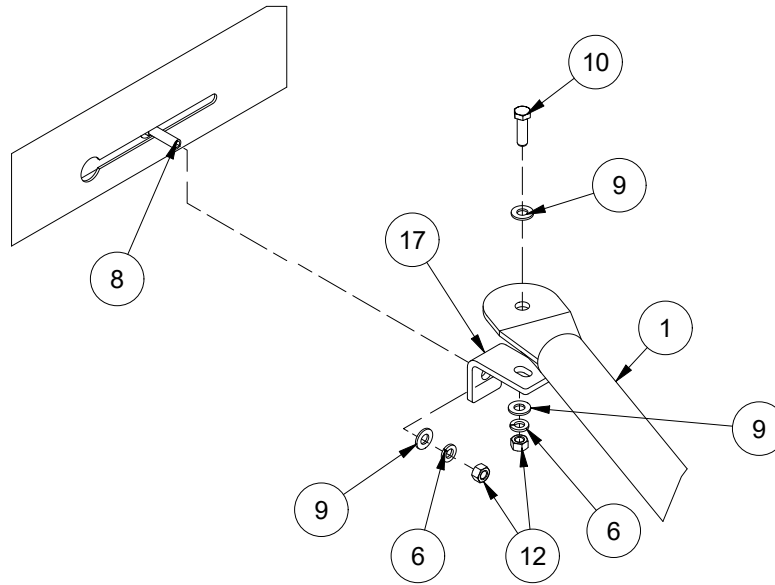


976 Hartford Turnpike  
Waterford, CT 06385 USA  
(800)243-0533 Fax: (800)988-3363  
www.jaypro.com

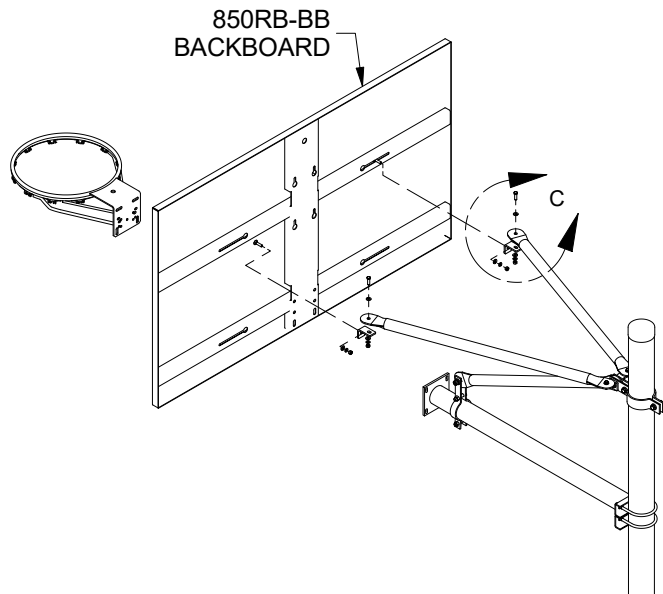
MODEL NUMBER: SPA4  
CHECKED BY: WVB

PRODUCT NAME:  
4 FT EXTENDED SINGLE BACKSTOP  
FOR RECTANGULAR & FAN SHAPED  
BACKBOARDS


DATE: 6/19/2019  
REV: A  
DRAWN BY: Mouné T.  
SHEET: 3 OF 5

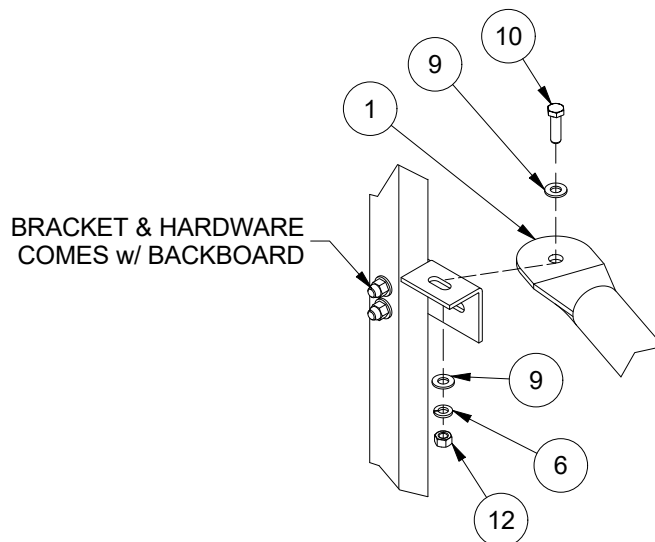


**DETAIL C**  
(850RB-BB ONLY)

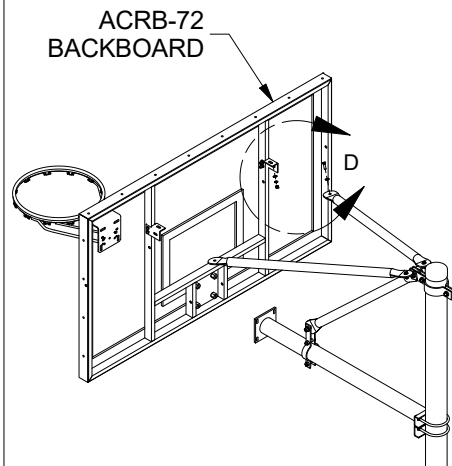


ITEM	QTY	PART NUMBER	DESCRIPTION
1	2	SP-4BK-48.5	SPA 4' UPPER BRACE ARM 48 1/2" L
2	1	SP-4BK-45.5	SPA 4' CENTER BRACE ARM 45 1/2" L
3	8	HN704	1/2 - 13 Hex Nut - ZP - GrNC
4	4	HS5113	1/2-13 x 2 HEX CAP SCREW-ZP-GrNC
5	2	HS743	3/8-16 x 3/4 HEX CAP SCREW-ZP-GrNC
6	6	HW334	3/8 LOCK WASHER-ZP-GrNC
7	8	HW1245	1/2 LOCK WASHER-ZP-GrNC
8	2	HB5031	3/8-16 x 1-1/2 CARRIAGE BOLT-ZP
9	10	HW2050	3/8 STD WASHER-ZP-GrNC
10	4	HS287	3/8-16 x 1-1/4 HEX CAP SCREW-ZP-GrNC
11	12	HW2044	1/2 SAE WASHER-ZP-GrNC
12	6	HN264	3/8 - 16 Hex Nut - ZP - GrNC
13	1	SF5018	3" DOUBLE BOLT PIPE CLAMP EG FOR 3 1/2"
14	2	SF5024	1/2 CLAMP SPA-4U SINGLE SIDE
15	2	HB5064	4" U-BOLT (FOR 4 1/2" OD) ZP
16	1	EC0030	4.5" Top Cap
17	4	SP43	ANGLE BRACKET SPA SERIES

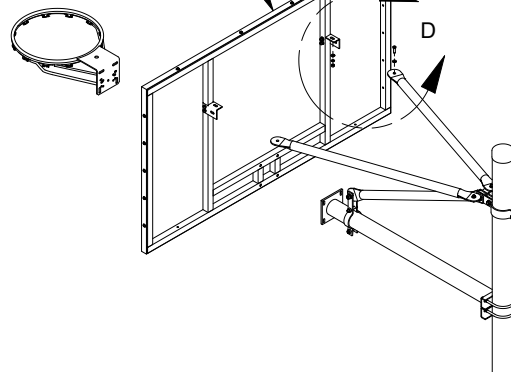
	MODEL NUMBER: SPA4		CHECKED BY: WVB	
	PRODUCT NAME: 4 FT EXTENDED SINGLE BACKSTOP FOR RECTANGULAR & FAN SHAPED BACKBOARDS			
976 Hartford Turnpike Waterford, CT 06385 USA (800)243-0533 Fax: (800)988-3363 www.jaypro.com	DATE: 6/19/2019	REV: A	DRAWN BY: Mouné T.	SHEET: 4 OF 5



**DETAIL D**  
(ACRYLIC, PERFORATED ONLY)



AL-PERF & SL-PERF  
PERFORATED



ITEM	QTY	PART NUMBER	DESCRIPTION
1	2	SP-4BK-48.5	SPA 4' UPPER BRACE ARM 48 1/2" L
2	1	SP-4BK-45.5	SPA 4' CENTER BRACE ARM 45 1/2" L
3	8	HN704	1/2 - 13 Hex Nut - ZP - GrNC
4	4	HS5113	1/2-13 x 2 HEX CAP SCREW-ZP-GrNC
5	2	HS743	3/8-16 x 3/4 HEX CAP SCREW-ZP-GrNC
6	6	HW334	3/8 LOCK WASHER-ZP-GrNC
7	8	HW1245	1/2 LOCK WASHER-ZP-GrNC
8	2	HB5031	3/8-16 x 1-1/2 CARRIAGE BOLT-ZP
9	10	HW2050	3/8 STD WASHER-ZP-GrNC
10	4	HS287	3/8-16 x 1-1/4 HEX CAP SCREW-ZP-GrNC
11	12	HW2044	1/2 SAE WASHER-ZP-GrNC
12	6	HN264	3/8 - 16 Hex Nut - ZP - GrNC
13	1	SF5018	3" DOUBLE BOLT PIPE CLAMP EG FOR 3 1/2"
14	2	SF5024	1/2 CLAMP SPA-4U SINGLE SIDE
15	2	HB5064	4" U-BOLT (FOR 4 1/2" OD) ZP
16	1	EC0030	4.5" Top Cap
17	4	SP43	ANGLE BRACKET SPA SERIES



976 Hartford Turnpike  
Waterford, CT 06385 USA  
(800)243-0533 Fax: (800)988-3363  
www.jaypro.com

MODEL NUMBER: SPA4  
CHECKED BY: WVB

PRODUCT NAME:  
4 FT EXTENDED SINGLE BACKSTOP  
FOR RECTANGULAR & FAN SHAPED  
BACKBOARDS

DATE: 6/19/2019  
REV: A  
DRAWN BY: Mouné T.  
SHEET: 5 OF 5