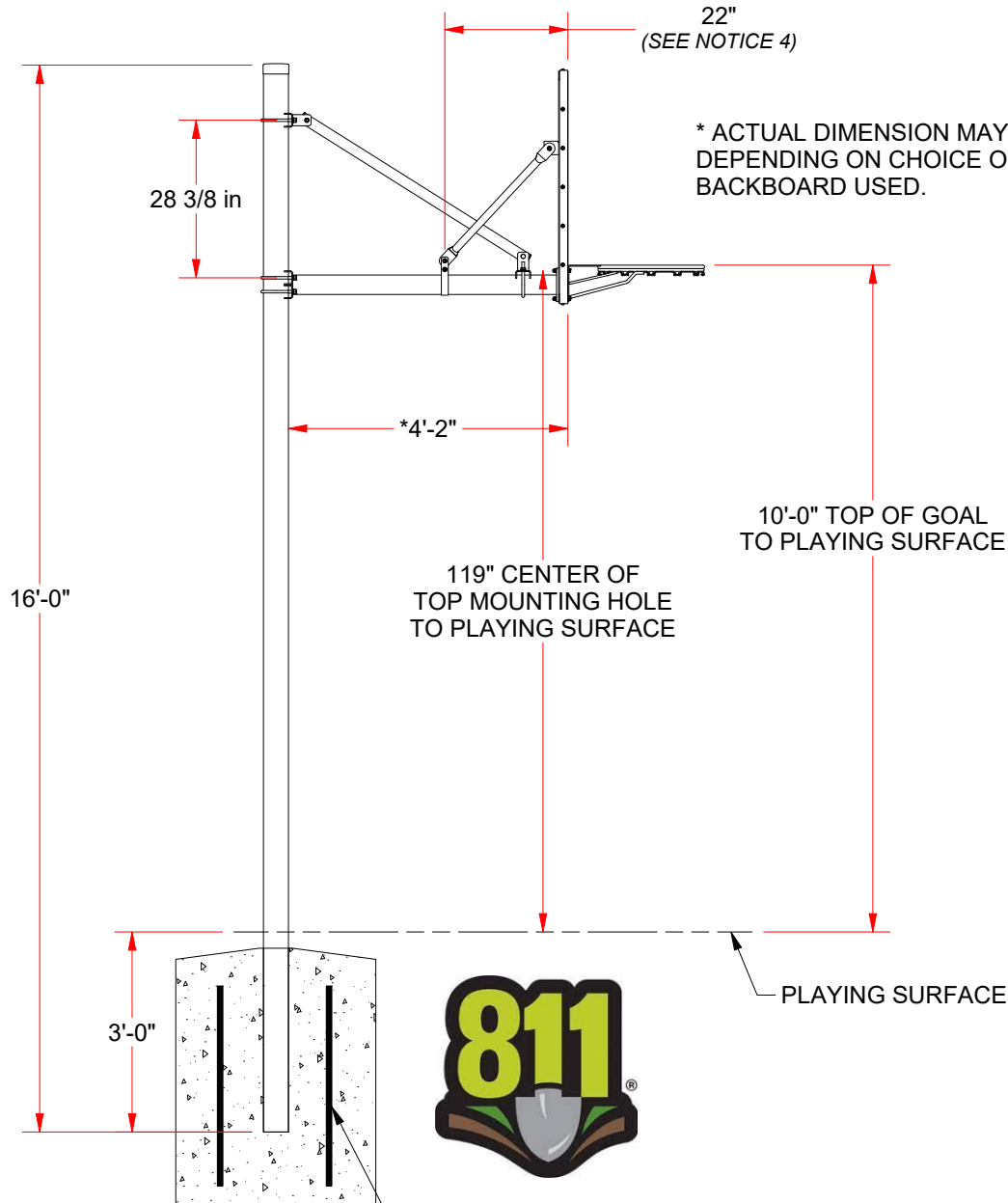


SPA6



22"
(SEE NOTICE 4)

* ACTUAL DIMENSION MAY VARY
DEPENDING ON CHOICE OF
BACKBOARD USED.

28 3/8 in

*4'-2"

10'-0" TOP OF GOAL
TO PLAYING SURFACE

119" CENTER OF
TOP MOUNTING HOLE
TO PLAYING SURFACE

16'-0"

PLAYING SURFACE

3'-0"



CHECK LOCAL BUILDING CODES
BEFORE STARTING THE FOOTING,
AS BUILDING CODES MAY VARY.
LOCAL BUILDING CODES SHOULD
BE ADHERED TO IF REQUIREMENTS
ARE GREATER THAN THOSE
OUTLINED HERE.

RECOMMEND:
1/2" ~ 3/4" REBAR x 36" 4 PLACES
REBAR TO BE TIED TOGETHER
(TO BE SUPPLIED BY INSTALLER)

IMPORTANT NOTICE:

- 1) EQUIPMENT SHOULD BE CHECKED REGULARLY FOR PROPER CONNECTING HARDWARE AND STRUCTURAL INTEGRITY. REPLACE ANY DAMAGED OR MISSING HARDWARE IMMEDIATELY.
- 2) USE OF THE EQUIPMENT OTHER THAN INTENDED, MAY BE HAZARDOUS.
- 3) ALTERATION OR MODIFICATION OF THIS EQUIPMENT MAY BE HAZARDOUS AND RESULT IN INJURY. FOR REPAIR OR REPLACEMENT, CONTACT JAYPRO SPORTS.
- 4) ADJUST AS NEEDED PER BOARD

NOTES:

- 1) BACKBOARD VARIES PER CUSTOMER ORDER.
- 2) GOAL VARIES PER CUSTOMER ORDER.

ITEM	QTY	PART #	DESCRIPTION
A	1	SPU-4	4 1/2 OD SNGL UPRT X 16'
B	1	SP-4R	OUTRIGGER 4' SPA
C	1	VARIES	BACKBOARD
D	1	VARIES	GOAL
1	1	SP4-PIPE-A	SPA 4' BRACE ARM OUTRIGGER
2	1	SPA6-PB	3 1/2" SADDLE TO 1.90" PIPE
3	1	SP4-PT	4-1/2" SADDLE TO 1.90" PIPE
4	2	SP43	ANGLE BRACKET SPA SERIES
5	2	BRC30	1.315 DIA BB BRACE
6	1	BRC352	3 1/2 in BAND CLAMP WITH TWO HOLES
7	1	EC0030	4.5" Top Cap
8	2	EP0019	PLASTIC END PLUG 77-8
9	2	HB5031	3/8-16 x 1-1/2 CARRIAGE BOLT-ZP
10	1	HB5040	3" (3 1/2" PIPE) U-BOLT, 1/2-13 GR5 ZP
11	3	HB5064	4" U-BOLT (FOR 4 1/2" OD) ZP
12	6	HN264	3/8 - 16 Hex Nut - ZP - GrNC
13	2	HN268	1/2-13 UNC-Thin Nylon Lock Nut-ZP-GrNC
14	6	HN704	1/2 - 13 Hex Nut - ZP - GrNC
15	2	HN5038	1/2 - 13 FLANGE LOCK NUT - ZP - Gr5
16	2	HS287	3/8-16 x 1-1/4 HEX CAP SCREW-ZP-GrNC
17	2	HS288	3/8-16 x 1-1/2 HEX CAP SCREW-ZP-GrNC
18	2	HS743	3/8-16 x 3/4 HEX CAP SCREW-ZP-GrNC
19	2	HS5160	1/2-13 x 3 HEX CAP SCREW-ZP-Gr5
20	6	HW334	3/8 LOCK WASHER-ZP-GrNC
21	6	HW1245	1/2 LOCK WASHER-ZP-GrNC
22	12	HW2050	3/8 STD WASHER-ZP-GrNC



976 Hartford Turnpike
Waterford, CT 06385 USA
(800)243-0533 Fax: (800)988-3363
www.jaypro.com

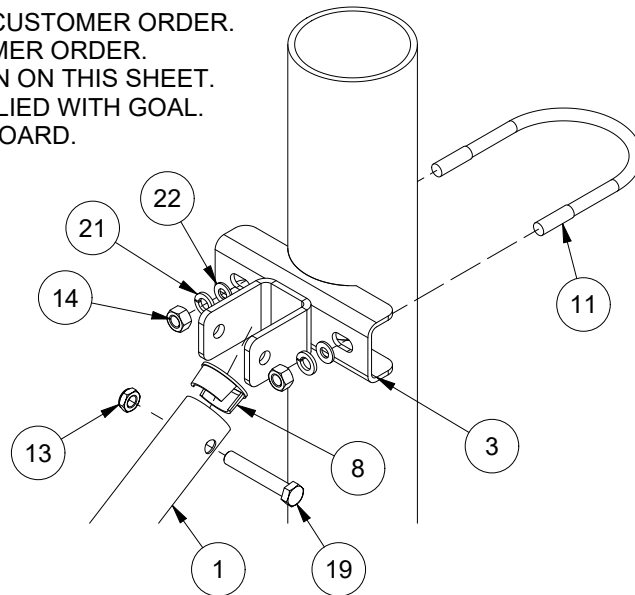
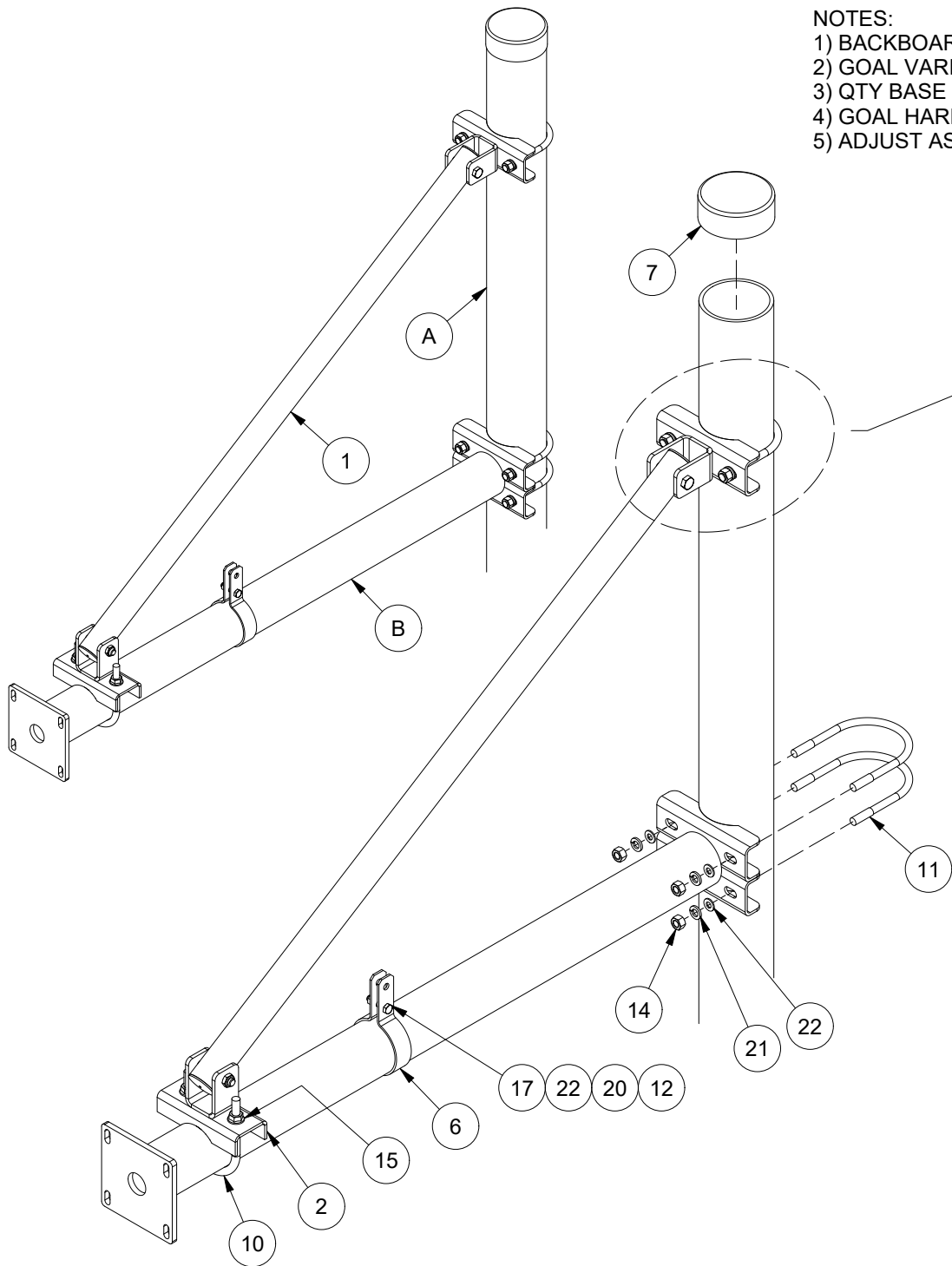
MODEL NUMBER: SPA4
CHECKED BY: MT

PRODUCT NAME:
4 FT EXTEND SINGLE BACKSTOP FOR
RECTANGULAR & FAN SHAPED
BACKBOARDS


DATE: 3/20/2023
REV: -
DRAWN BY: Mouné T.
SHEET: 1 OF 5

NOTES:

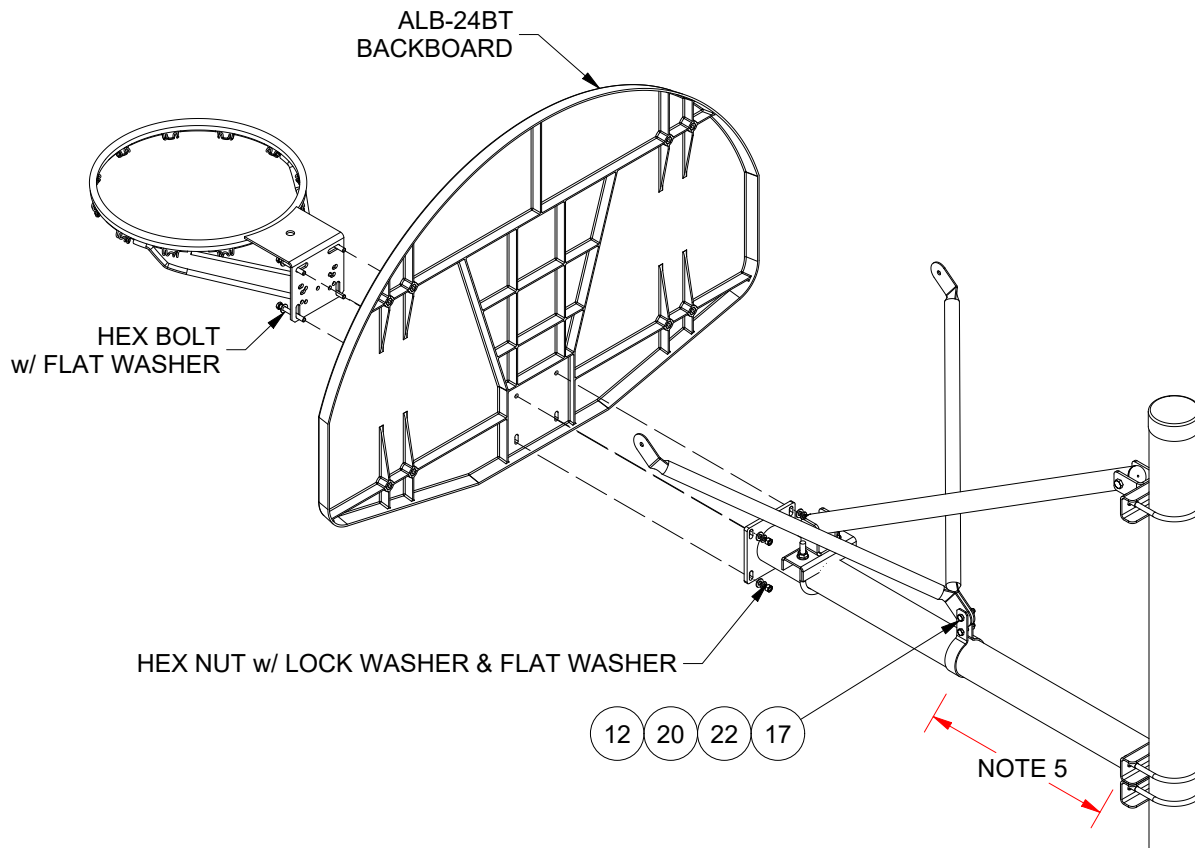
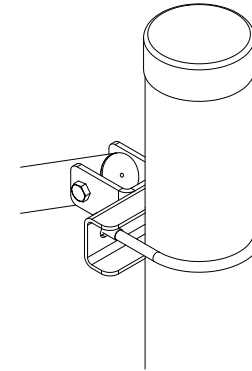
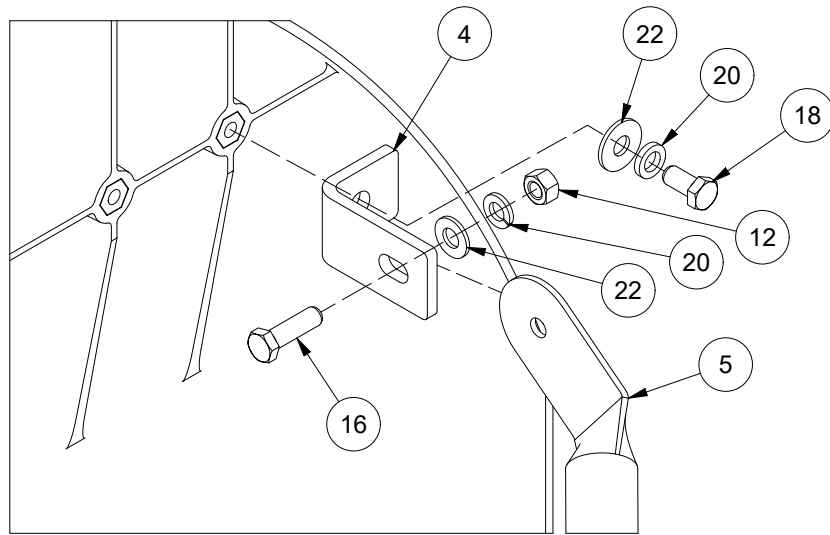
- 1) BACKBOARD VARIES PER CUSTOMER ORDER.
- 2) GOAL VARIES PER CUSTOMER ORDER.
- 3) QTY BASE ON VIEW SHOWN ON THIS SHEET.
- 4) GOAL HARDWARE IS SUPPLIED WITH GOAL.
- 5) ADJUST AS NEEDED PER BOARD.



ITEM	QTY	PART #	DESCRIPTION
A	1	SPU-4	4 1/2 OD SNGL UPRT X 16'
B	1	SP-4R	OUTRIGGER 4' SPA
1	1	SP4-PIPE-A	SPA 4' BRACE ARM OUTRIGGER
2	1	SPA6-PB	3 1/2" SADDLE TO 1.90" PIPE
3	1	SP4-PT	4-1/2" SADDLE TO 1.90" PIPE
6	1	BRC352	3 1/2 in BAND CLAMP WITH TWO HOLES
7	1	EC0030	4.5" Top Cap
8	2	EP0019	PLASTIC END PLUG 77-8
10	1	HB5040	3" (3 1/2" PIPE) U-BOLT, 1/2-13 GR5 ZP
11	3	HB5064	4" U-BOLT (FOR 4 1/2" OD) ZP
12	1	HN264	3/8 - 16 Hex Nut - ZP - GrNC
13	2	HN268	1/2-13 UNC-Thin Nylon Lock Nut-ZP-GrNC
14	6	HN704	1/2 - 13 Hex Nut - ZP - GrNC
15	2	HN5038	1/2 - 13 FLANGE LOCK NUT - ZP - Gr5
17	1	HS288	3/8-16 x 1-1/2 HEX CAP SCREW-ZP-GrNC
19	2	HS5160	1/2-13 x 3 HEX CAP SCREW-ZP-Gr5
20	1	HW334	3/8 LOCK WASHER-ZP-GrNC
21	6	HW1245	1/2 LOCK WASHER-ZP-GrNC
22	7	HW2050	3/8 STD WASHER-ZP-GrNC

	MODEL NUMBER:	SPA4	CHECKED BY:	MT
	PRODUCT NAME:	4 FT EXTEND SINGLE BACKSTOP FOR RECTANGULAR & FAN SHAPED BACKBOARDS		
976 Hartford Turnpike Waterford, CT 06385 USA (800)243-0533 Fax: (800)988-3363 www.jaypro.com	DATE:	3/20/2023	REV:	-
	DRAWN BY:	Moune T.	SHEET:	2 OF 5

36" Aluminum Fan Backboard ALB-24BT



NOTES:

- 1) BACKBOARD VARIES PER CUSTOMER ORDER.
- 2) GOAL VARIES PER CUSTOMER ORDER.
- 3) QTY BASE ON VIEW SHOWN ON THIS SHEET.
- 4) GOAL HARDWARE IS SUPPLIED WITH GOAL.
- 5) ADJUST AS NEEDED PER BOARD.

ITEM	QTY	PART #	DESCRIPTION
B	1	SP-4R	OUTRIGGER 4' SPA
4	2	SP43	ANGLE BRACKET SPA SERIES
5	2	BRC30	1.315 DIA BB BRACE
12	3	HN264	3/8 - 16 Hex Nut - ZP - GrNC
16	2	HS287	3/8-16 x 1-1/4 HEX CAP SCREW-ZP-GrNC
17	1	HS288	3/8-16 x 1-1/2 HEX CAP SCREW-ZP-GrNC
18	2	HS743	3/8-16 x 3/4 HEX CAP SCREW-ZP-GrNC
20	5	HW334	3/8 LOCK WASHER-ZP-GrNC
22	5	HW2050	3/8 STD WASHER-ZP-GrNC



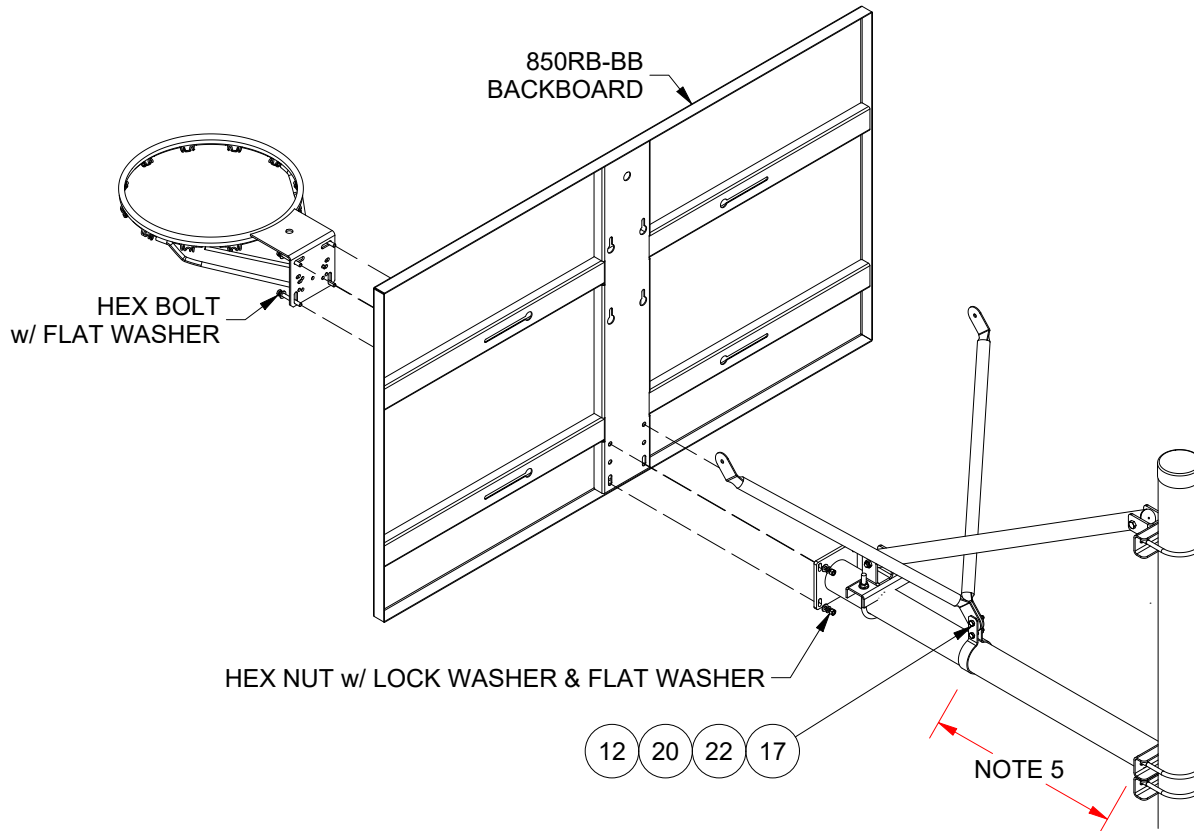
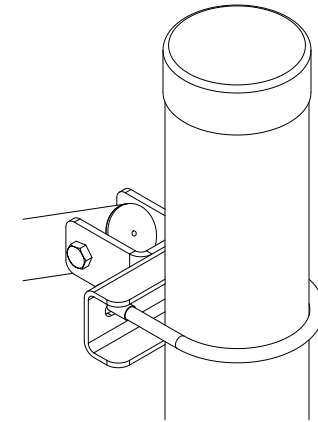
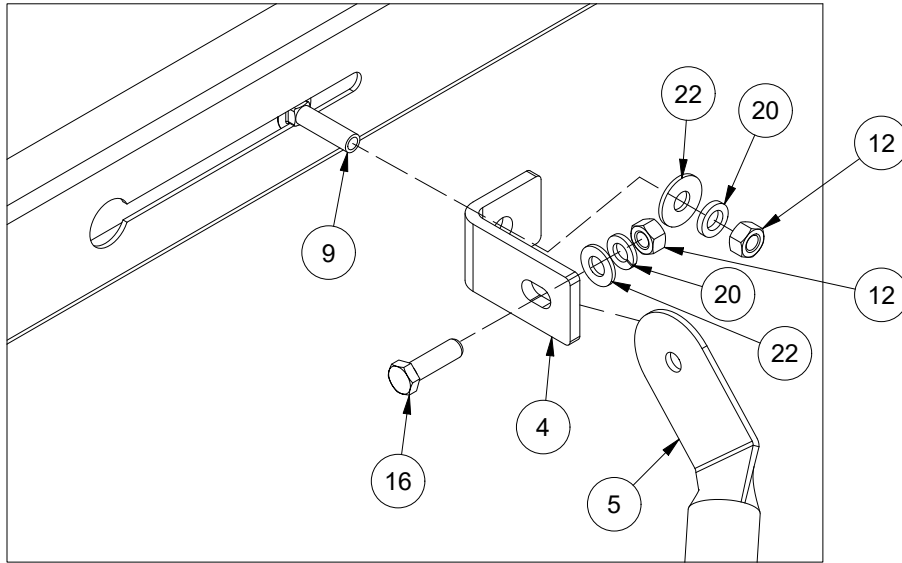
976 Hartford Turnpike
Waterford, CT 06385 USA
(800)243-0533 Fax: (800)988-3363
www.jaypro.com

MODEL NUMBER: SPA4-ALB-24BT
CHECKED BY: MT

PRODUCT NAME:
4 FT EXTEND SINGLE BACKSTOP FOR
RECTANGULAR & FAN SHAPED
BACKBOARDS

DATE: 3/20/2023
REV: -
DRAWN BY: Mouné T.
SHEET: 3 OF 5

42" Rectangular Steel Backboard 850RB-BB



NOTES:

- 1) BACKBOARD VARIES PER CUSTOMER ORDER.
- 2) GOAL VARIES PER CUSTOMER ORDER.
- 3) QTY BASE ON VIEW SHOWN ON THIS SHEET.
- 4) GOAL HARDWARE IS SUPPLIED WITH GOAL.
- 5) ADJUST AS NEEDED PER BOARD.

ITEM	QTY	PART #	DESCRIPTION
B	1	SP-4R	OUTRIGGER 4' SPA
4	2	SP43	ANGLE BRACKET SPA SERIES
5	2	BRC30	1.315 DIA BB BRACE
9	2	HB5031	3/8-16 x 1-1/2 CARRIAGE BOLT-ZP
12	5	HN264	3/8 - 16 Hex Nut - ZP - GrNC
16	2	HS287	3/8-16 x 1-1/4 HEX CAP SCREW-ZP-GrNC
17	1	HS288	3/8-16 x 1-1/2 HEX CAP SCREW-ZP-GrNC
20	5	HW334	3/8 LOCK WASHER-ZP-GrNC
22	5	HW2050	3/8 STD WASHER-ZP-GrNC



976 Hartford Turnpike
Waterford, CT 06385 USA
(800)243-0533 Fax: (800)988-3363
www.jaypro.com

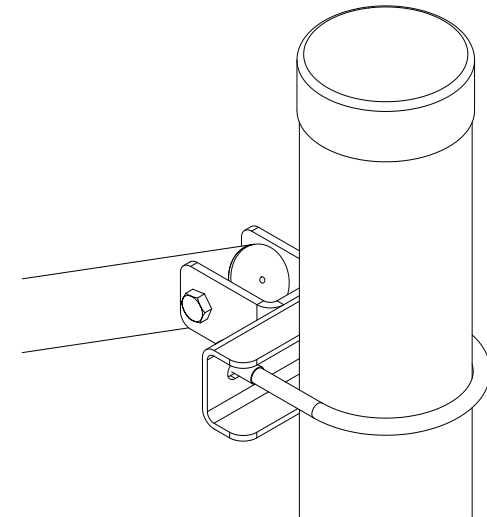
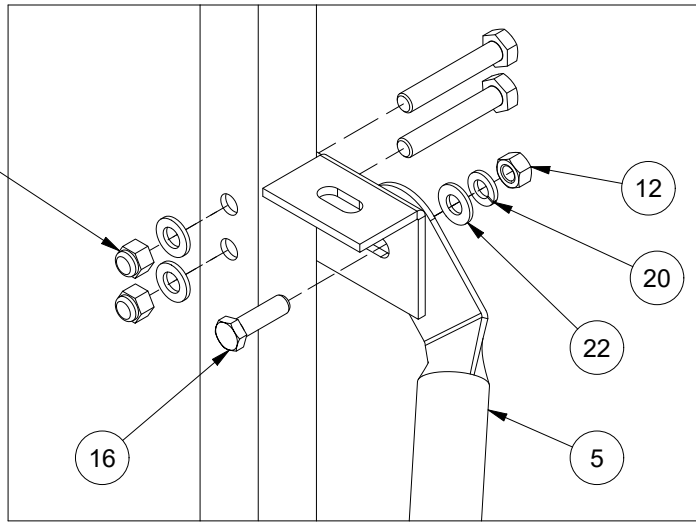
MODEL NUMBER: SPA4-850RB-BB
CHECKED BY: MT

PRODUCT NAME:
4 FT EXTEND SINGLE BACKSTOP FOR
RECTANGULAR & FAN SHAPED
BACKBOARDS

DATE: 3/20/2023
REV: -
DRAWN BY: Mouné T.
SHEET: 4 OF 5

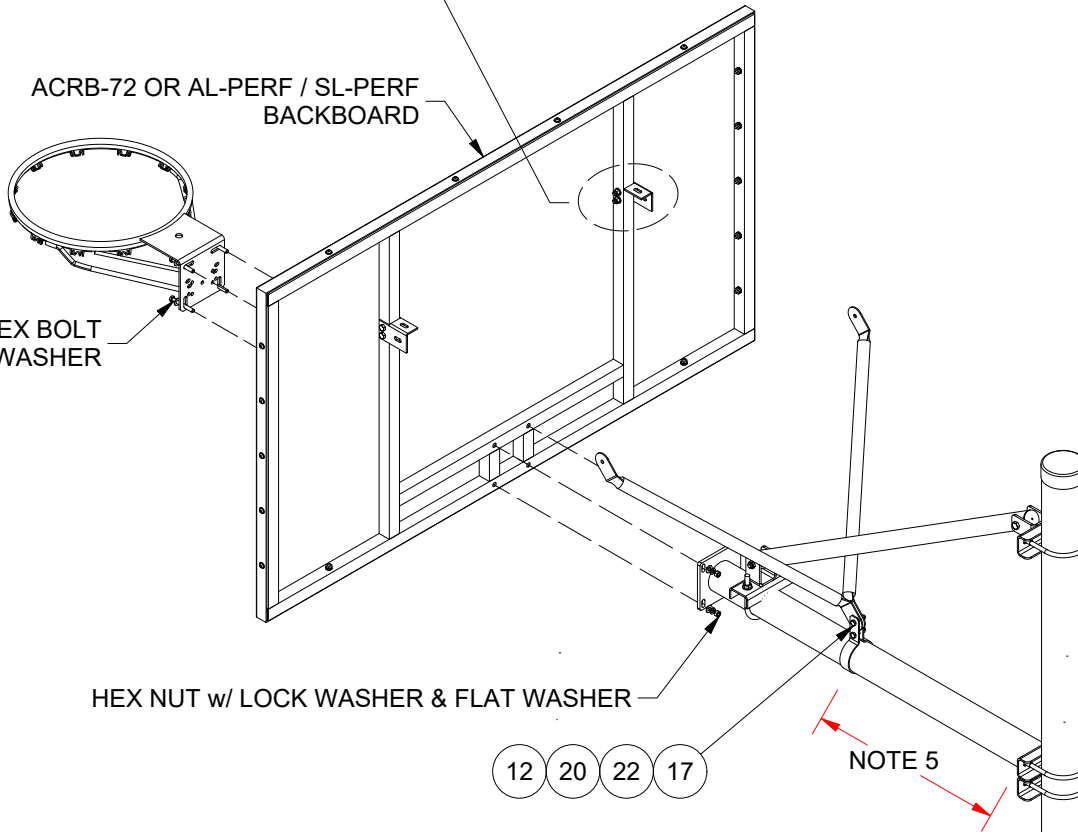
42" Rectangular Backboard ACRB-72, SR-PERF or AL-PERF

BRACKET & HARDWARE
COMES w/ BACKBOARD



ACRB-72 OR AL-PERF / SL-PERF
BACKBOARD

HEX BOLT
w/ FLAT WASHER



NOTES:

- 1) BACKBOARD VARIES PER CUSTOMER ORDER.
- 2) GOAL VARIES PER CUSTOMER ORDER.
- 3) QTY BASE ON VIEW SHOWN ON THIS SHEET.
- 4) GOAL HARDWARE IS SUPPLIED WITH GOAL.
- 5) ADJUST AS NEEDED PER BOARD.

ITEM	QTY	PART #	DESCRIPTION
B	1	SP-4R	OUTRIGGER 4' SPA
5	2	BRC30	1.315 DIA BB BRACE
12	3	HN264	3/8 - 16 Hex Nut - ZP - GrNC
16	2	HS287	3/8-16 x 1-1/4 HEX CAP SCREW-ZP-GrNC
17	1	HS288	3/8-16 x 1-1/2 HEX CAP SCREW-ZP-GrNC
20	3	HW334	3/8 LOCK WASHER-ZP-GrNC
22	3	HW2050	3/8 STD WASHER-ZP-GrNC



976 Hartford Turnpike
Waterford, CT 06385 USA
(800)243-0533 Fax: (800)988-3363
www.jaypro.com

MODEL NUMBER: SPA4
CHECKED BY: MT

PRODUCT NAME:
4 FT EXTEND SINGLE BACKSTOP FOR
RECTANGULAR & FAN SHAPED
BACKBOARDS

DATE: 3/20/2023
REV: -
DRAWN BY: Mouné T.
SHEET: 5 OF 5