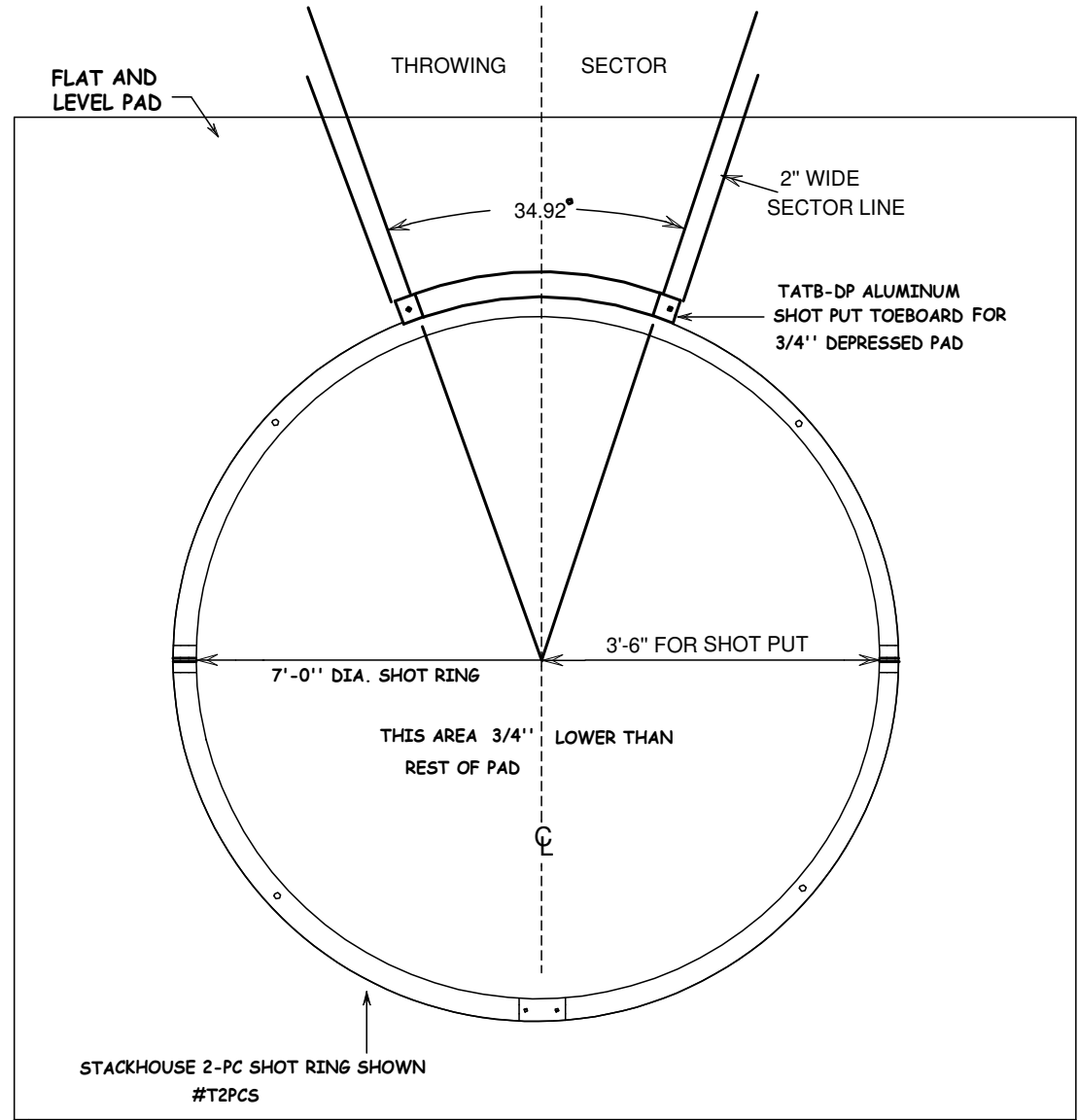
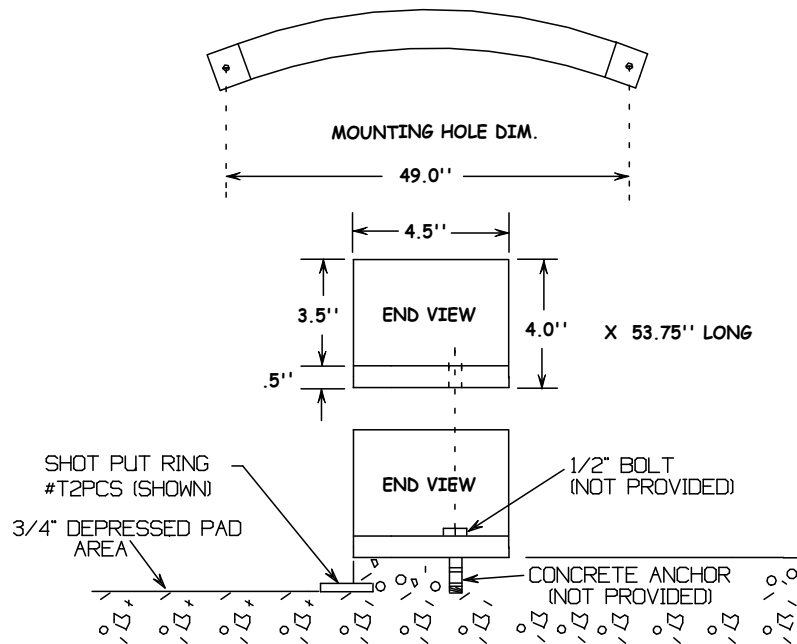


INSTALLATION INSTRUCTIONS FOR: CAST ALUMINUM TOEBOARD ON A 3/4" DEPRESSED PAD.
STACKHOUSE PRODUCT CODE- TATB-DP

INSTALLATION NOTES:

1. CONSULT CURRENT TRACK AND FIELD RULE BOOK BEFORE INSTALLATION.
2. CHECK ALL APPLICABLE CODES, LAWS, AND REGULATIONS.
3. INSTALLATION SHOULD BE DONE BY A QUALIFIED CONTRACTOR.
4. MOUNT TOEBOARD OVER PROPERLY INSTALLED SHOT PUT RING, CENTERED ON A 3/4" DEPRESSED PAD
5. MARK, AND DRILL FOR CONCRETE ANCHORS. SECURE WITH 1/2" BOLT ON ANCHOR TABS, EACH SIDE.
6. TO BE INSTALLED OVER STACKHOUSE SHOT PUT RINGS. PRODUCT CODES: T2PCS OR TASR. CONCRETE ANCHORS NOT PROVIDED



www.stackhouseathletic.com

SCALE: NTS



Phone: (503) 363-1840 Toll Free: (800) 285-3604
Fax: (503) 363-0511 www.stackhouseathletic.com

CAST ALUMINUM TOEBOARD

DATE: 12-08

INSTALLATION ON A 3/4" DEPRESSED PAD

DRAWN BY: S.L.

PAGE: 1 of 1

PRODUCT CODE: TATB-DP

DWG: TATB-DP INSTALL-REV-08