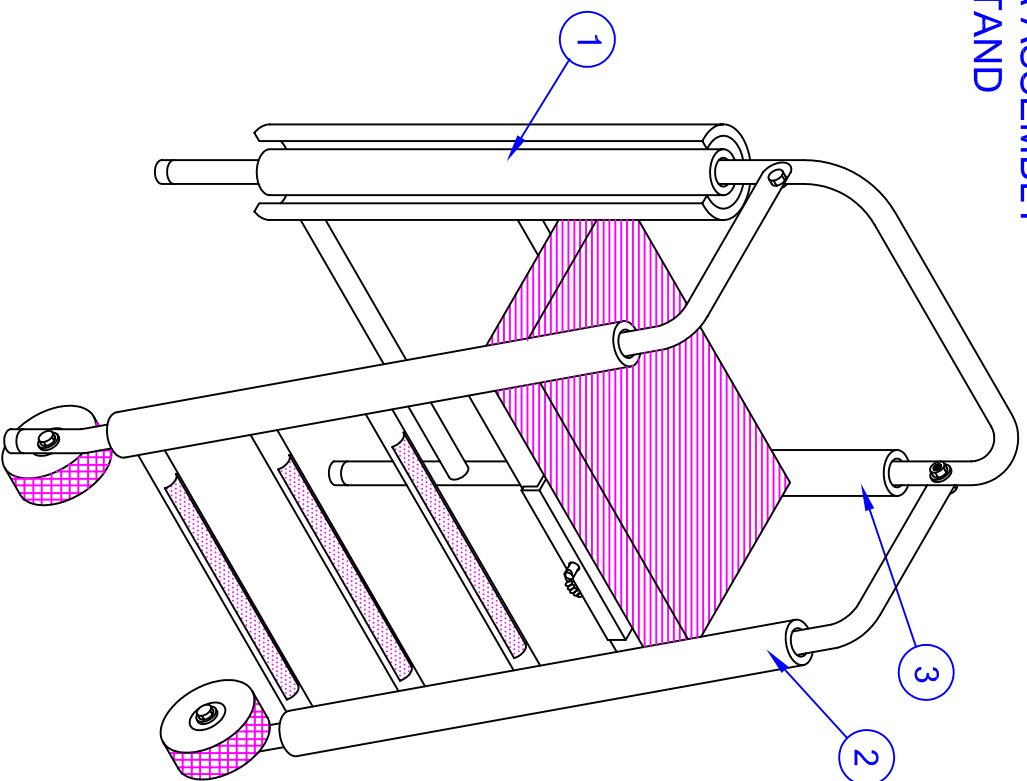


**NOTE**  
 SEE SEPARATE VRS-6000  
 INSTRUCTIONS FOR ASSEMBLY  
 OF REFEREE STAND



**PLEASE NOTE:**

- 1) FOR SAFE OPERATION AND CONTINUED HIGH PERFORMANCE FROM THIS EQUIPMENT, INSPECTION AND MAINTENANCE MUST BE PERFORMED BEFORE EACH USE
- 2) USE OF THIS EQUIPMENT OTHER THAN INTENDED, MAY BE HAZARDOUS.
- 3) ALTERATION OR MODIFICATION OF EQUIPMENT MAY BE HAZARDOUS. FOR REPAIR OR REPLACEMENT, PLEASE CALL YOUR DEALER

LIST OF MATERIALS			
PIECE #	PART #	DESCRIPTION	QTY.
1	FM0022	INSUL-TUBE	4
2	VRS605	LADDER FRAME PAD	2
3	VRS606	FRONT FRAME PAD	2

**CAUTION**

MAXIMUM ALLOWABLE LOAD IS 250  
 POUNDS. DO NOT LEAN ACROSS RAILINGS  
 OR UNIT MAY TOPPLE OVER.

**Jaypro Sports**

976 Hartford Turnpike  
 Waterford, CT 06385 USA  
 (800)243-0533  
 (800)988-3363 Fax  
 www.jaypro.com

MODEL NO.:  
**VRS-60P**

PRODUCT NAME:  
 REFEREE STAND  
 PAD

DRAWN BY: JAC      EFFECTIVE DATE:  
 6-3-03