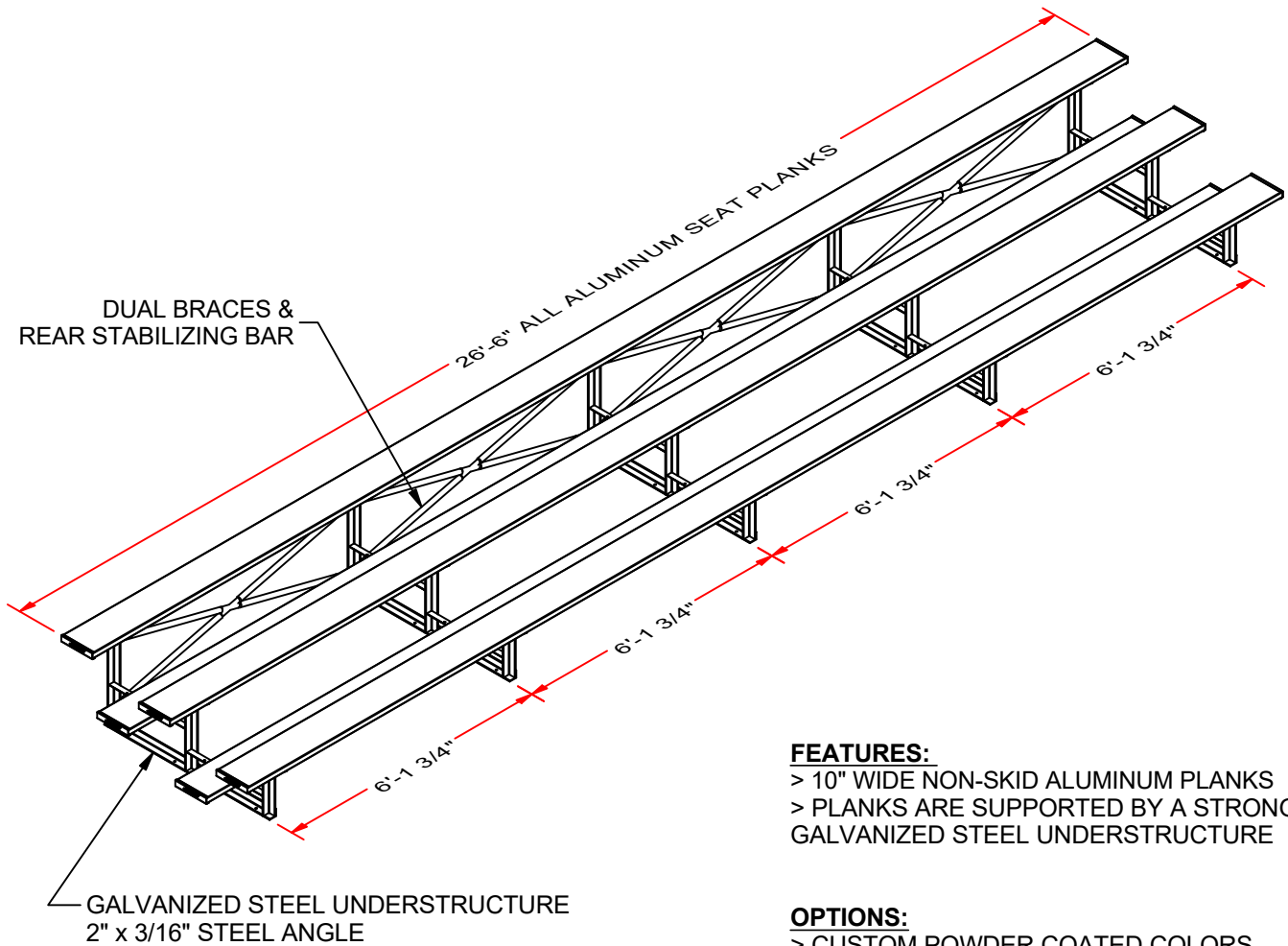




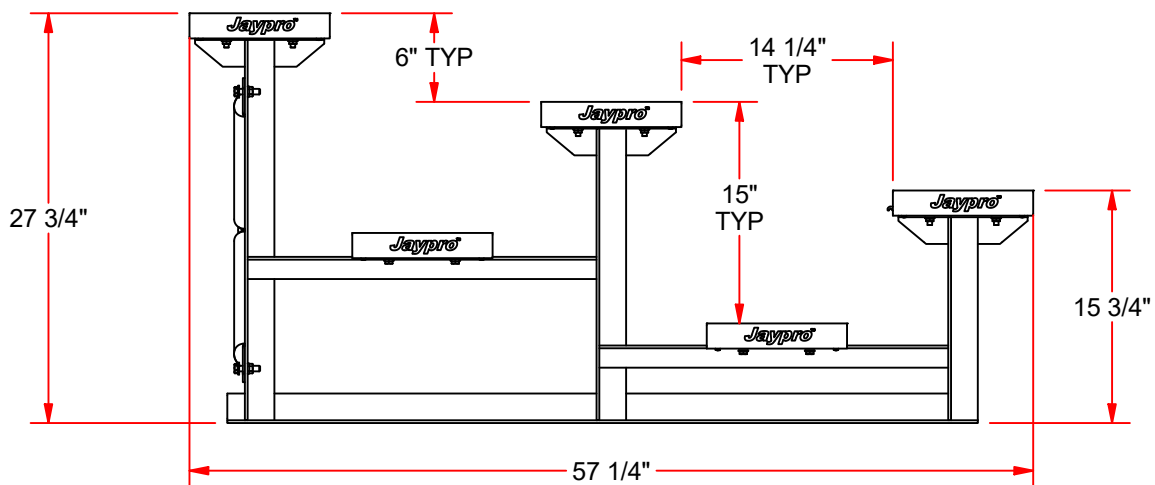
# BLCH-327 27' ALUMINUM BLEACHER W/ GALV. STEEL UNDER CARRIAGE

**FEATURES:**

- > 10" WIDE NON-SKID ALUMINUM PLANKS
- > PLANKS ARE SUPPORTED BY A STRONG, GALVANIZED STEEL UNDERSTRUCTURE

**OPTIONS:**

- > CUSTOM POWDER COATED COLORS



## BLCH-327

27' ALUMINUM BLEACHER W/ GALV. STEEL UNDER CARRIAGE

© COPYRIGHT 2017 JAYPRO SPORTS, LLC. ALL RIGHTS RESERVED  
THIS PRINT IS THE PROPERTY OF JAYPRO SPORTS, LLC. AND MAY NOT BE REPRODUCED WITHOUT WRITTEN PERMISSION

www.jaypro.com  
(800) 243-0533  
976 Hartford Turnpike  
Waterford, CT 06385 USA

Sheet 1 of 1