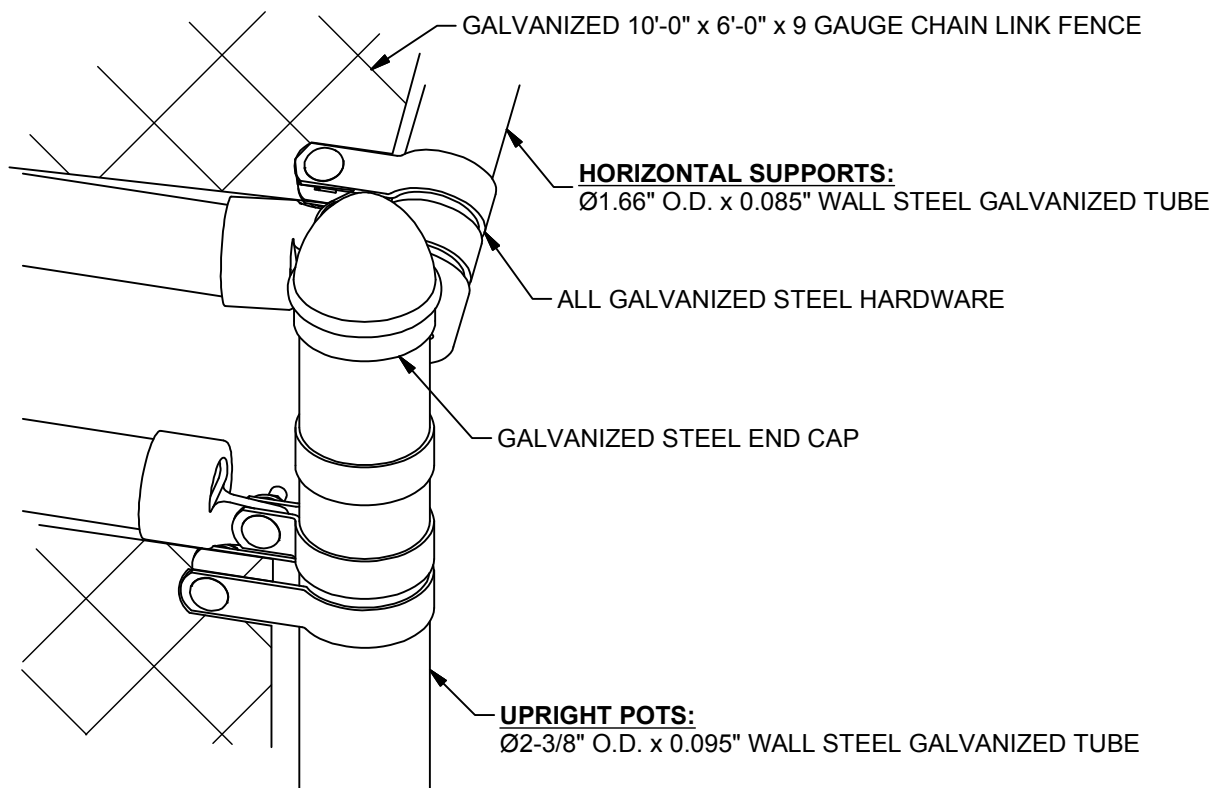
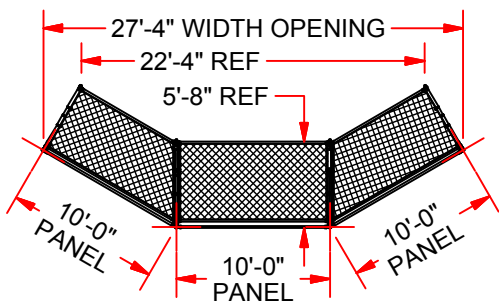


# BSP-33-2

3 PANELS, 1 CENTER, 2 WING OVERHANGS

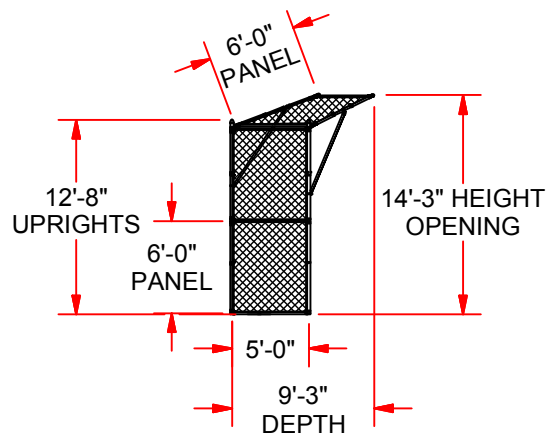
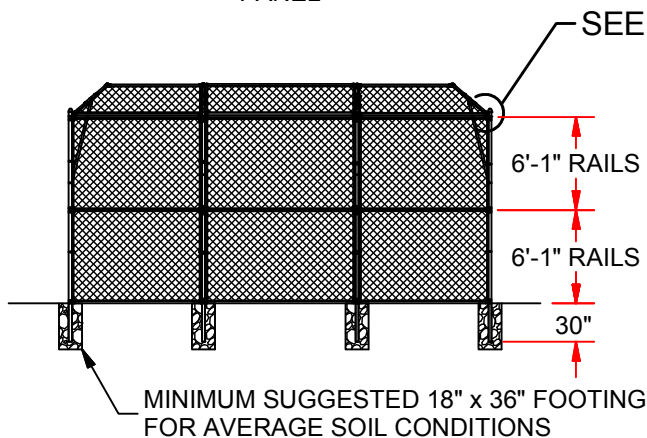


**DETAIL A**



**FEATURES:**

- \* UPRIGHT SECTIONS 10'-0" WIDE x 12' HIGH
- \* ALL PANELS GALVANIZED 10'-0" x 6'-0" x 9 GAUGE CHAIN LINK FENCE
- \* ALL GALVANIZED STEEL HARDWARE
- \* Ø2-3/8" O.D. x 0.095" WALL GALVANIZED STEEL TUBE
- \* Ø1-5/8" O.D. x 0.085" WALL GALVANIZED STEEL TUBE
- \* SHIPPING WEIGHT 860 LB / EACH



**BSP-33-2**  
3 PANELS, 1 CENTER, 2 WING OVERHANGS

THIS PRINT IS THE PROPERTY OF JAYPRO SPORTS, LLC. AND MAY NOT BE REPRODUCED WITHOUT WRITTEN PERMISSION

PHONE: 800.243.0533 (TOLL FREE) 860.447.3001 (LOCAL)

FAX: 860.444.1779 (SALES) 860.440.0628 (ENG.)

www.jaypro.com INNOVATION, PERFORMANCE AND COMMITMENT SINCE 1953

DRAWING NAME / PART NUMBER: <b>BSP-33-2</b>	
DRAWN BY: Moune T.	ISSUE DATE: 1/30/2013
CHKD BY: WVB	CHK DATE: 1/31/2013
SHEET: 1 OF 1	