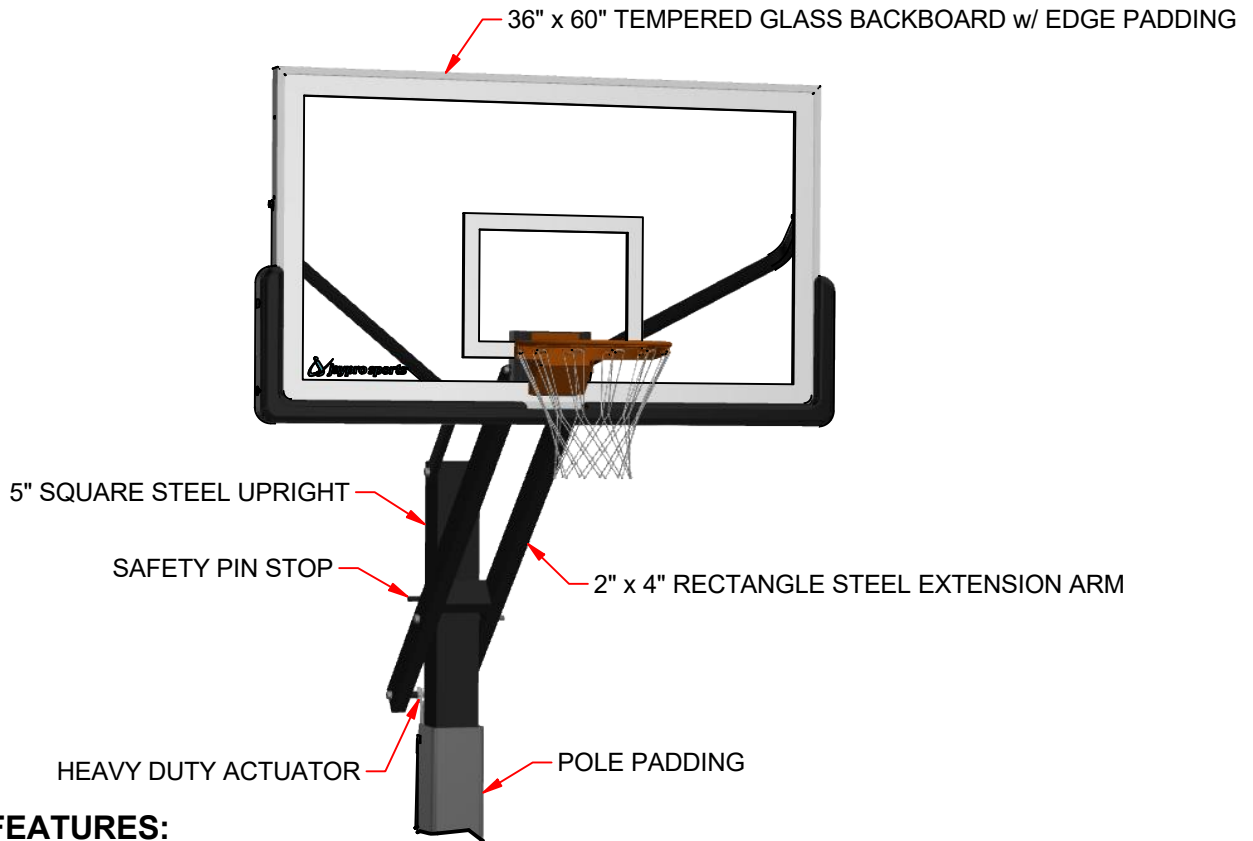


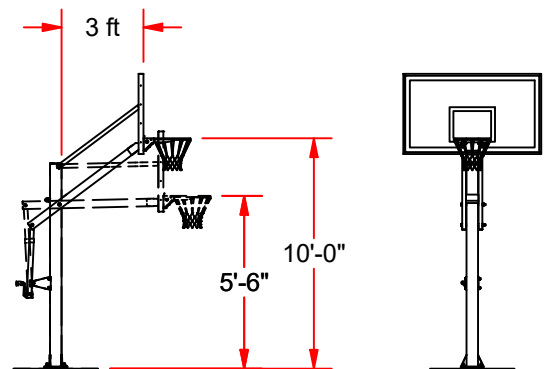
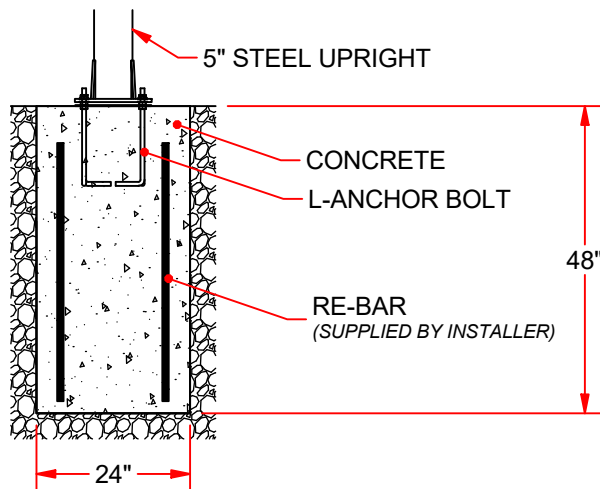


# THE TITAN CVX1



## FEATURES:

- > 3 FT OFFSET AT REGULATION HEIGHT
- > ADJUSTABLE HEIGHT OF 5.5 FT THRU 10 FT
- > 5" x 5" x 7 GAUGE (.180" WALL) POLE UPRIGHT
- > UPRIGHT & EXTENSION ARMS ARE CONSTRUCTED OUT OF HEAVY GAUGE STEEL
- > DUPLEX COATING, HOT-DIP GALVANIZED PLUS POWDER COAT COLOR BLACK
- > 36" x 60" TEMPERED GLASS BACKBOARD w/ BLACK EDGE PADDING
- > HEAVY DUTY ACTUATOR w/ DUAL ASSIST SPRINGS
- > BREAKAWAY RIM w/ NYLON NET
- > ALL STAINLESS STEEL HARDWARE
- > COMES WITH 2" PADDING FOR POLE & BASE PAD



## CV553B

THE TITAN CVX1 5" x 5" POST CLEAR VIEW BASKETBALL HOOP

© COPYRIGHT 2017 JAYPRO SPORTS, LLC. ALL RIGHTS RESERVED  
THIS PRINT IS THE PROPERTY OF JAYPRO SPORTS, LLC. AND MAY NOT BE REPRODUCED WITHOUT WRITTEN PERMISSION

www.jaypro.com  
(800) 243-0533  
976 Hartford Turnpike  
Waterford, CT 06385 USA

Sheet 1 of 1