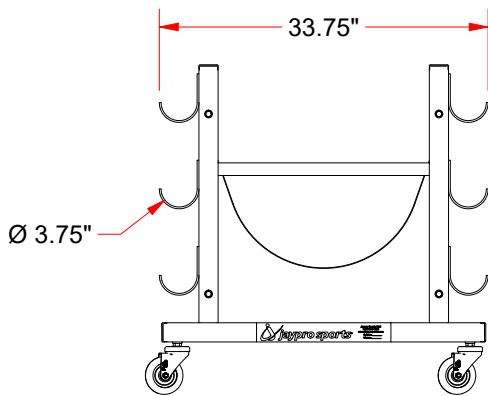
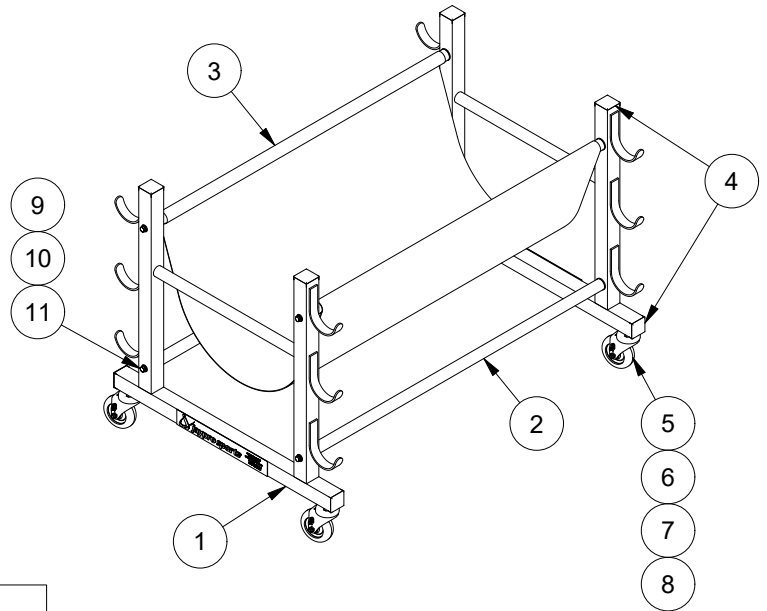

SIDE VIEW

FRONT VIEW


EC-1000 INCLUDES:			
ITEM	QTY	DESCRIPTION	ID NUMBER
1	2	WELDED CART FRAME ASSEMBLY	EC-1000-A
2	4	CART SIDE TUBE (EC-1000)	EC-1000-B
3	1	STORAGE HAMMOCK	EC104
4	8	2" SQUARE TUBE CAP - BLACK	EP0018
5	4	4" SWIVEL CASTER	CS0011
6	4	1/2" - 13 FLANGE LOCK NUT	HN5038
7	4	1/2" - 13 HEX NUT	HN704
8	4	1/2" LOCK WASHER	HW1245
9	8	3/8" - 16 x 3 HEX CAP SCREW	HS292
10	8	3/8" SAE WASHER	HW2047
11	8	3/8" SAE LOCK WASHER	HW334

DELUXE VOLLEYBALL EQUIPMENT CARRIER FEATURES:

- NON-MARRING SWIVEL WHEELS
- ACCOMMODATES 6 UPRIGHTS WHEN FULLY EQUIPPED, UPRIGHTS MEASURING UP TO Ø 3.5"
- RELIABLE CONSTRUCTION - WELDED STEEL FRAME
- STEEL UPRIGHT HOOKS (12) ARE WELDED TO FRAME, FEATURE PROTECTIVE RUBBER SLEEVE
- INCLUDES VINYL STORAGE HAMMOCK
- DURABLE POWDER COAT FINISH (BLACK)
- ABILITY TO STORE & TRANSPORT UPRIGHTS AS WELL AS BALLS, NETS, PADS, AND OTHER EQUIPMENT
- LIMITED WARRANTY: 3 YEARS

PROJECT NAME _____

ARCHITECT _____

PROJECT NUMBER _____

CONTRACTOR _____