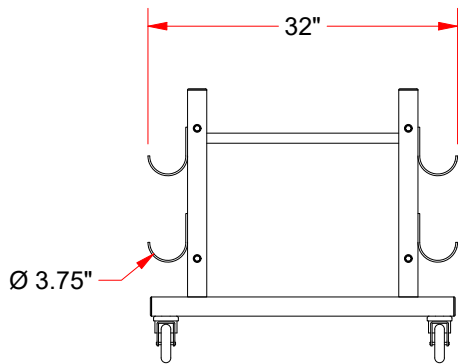
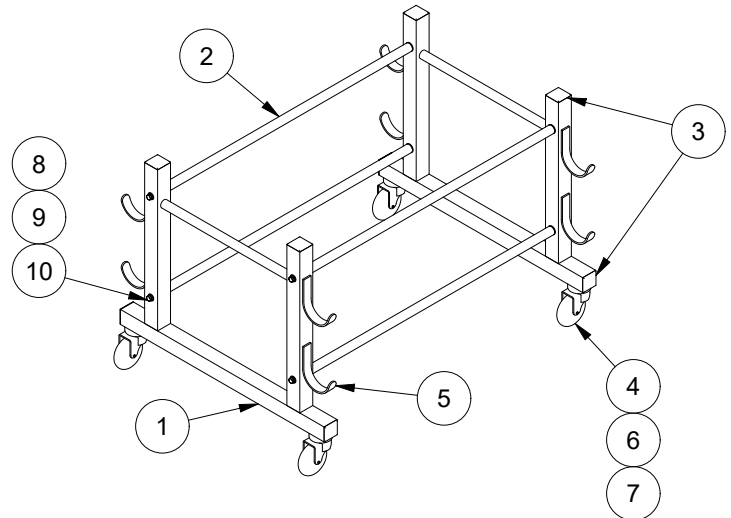

SIDE VIEW

FRONT VIEW


EC-500 INCLUDES:			
ITEM	QTY	DESCRIPTION	ID NUMBER
1	2	WELDED CART FRAME ASSEMBLY	EC-501-A
2	4	CART SIDE TUBE (EC-500)	BBC125
3	8	2" SQUARE TUBE CAP - BLACK	EP0018
4	4	4" SWIVEL CASTER	CS0011
5	8	VINYL PROTECTIVE SLEEVE	EC500P
6	4	1/2" 13 HEX NUT	HN704
7	4	1/2" LOCK WASHER	HW1245
8	8	3/8" LOCK WASHER	HW334
9	8	3/8" SAE WASHER	HW2047
10	8	3/8-16 x 2-3/4 HEX CAP SCREW	HS1616

STANDARD VOLLEYBALL EQUIPMENT CARRIER FEATURES:

- NON-MARRING SWIVEL WHEELS
- DURABLE POWDER COAT FINISH IN THE COLOR BLACK
- ABILITY TO STORE & TRANSPORT UP TO 4 VOLLEYBALL UPRIGHTS; AS WELL AS NETS, PADS, AND OTHER EQUIPMENT
- ACCOMMODATES UPRIGHTS UP TO Ø 3.5"
- DURABLE CONSTRUCTION - WELDED STEEL FRAME
- STEEL UPRIGHT HOOKS ARE WELDED TO FRAME, FEATURE PROTECTIVE RUBBER SLEEVE
- LIMITED WARRANTY: 3 YEARS

PROJECT NAME _____

ARCHITECT _____

PROJECT NUMBER _____

CONTRACTOR _____