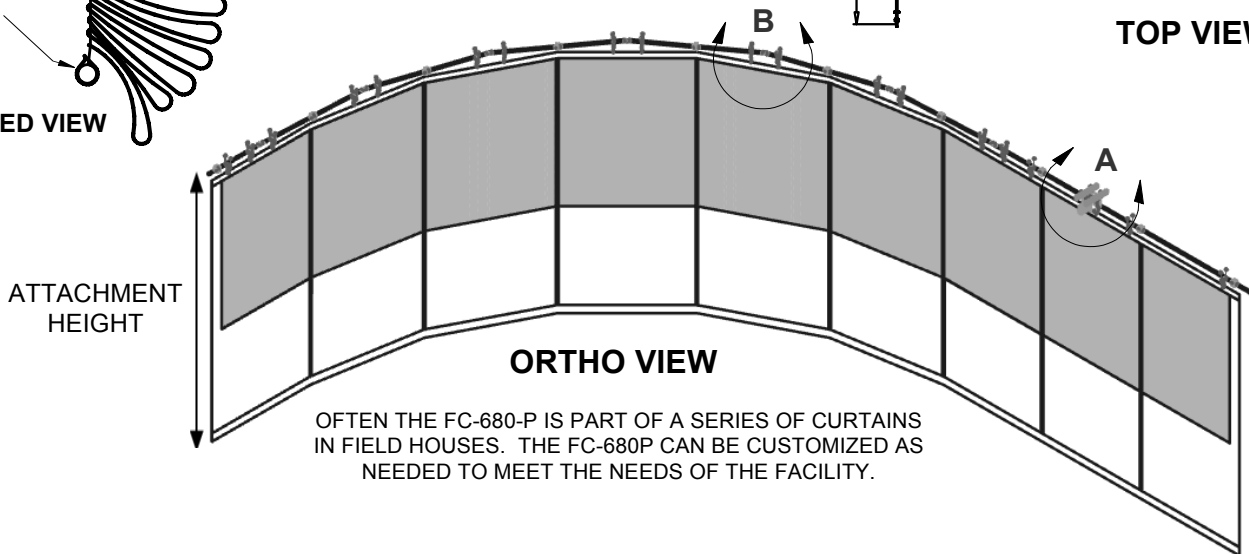
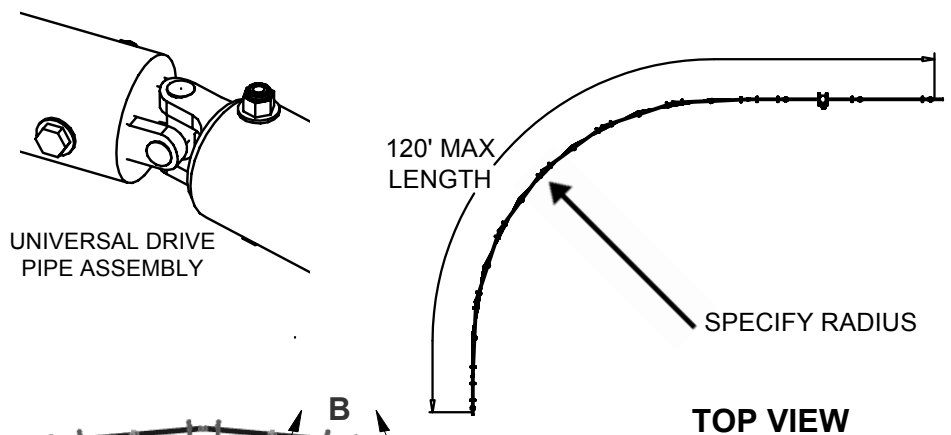
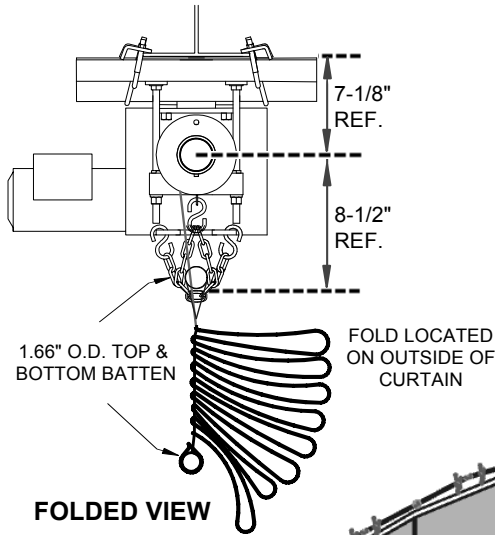
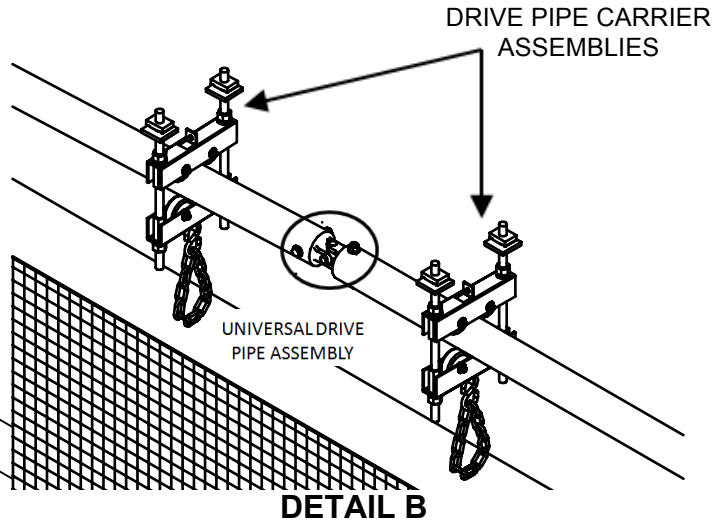
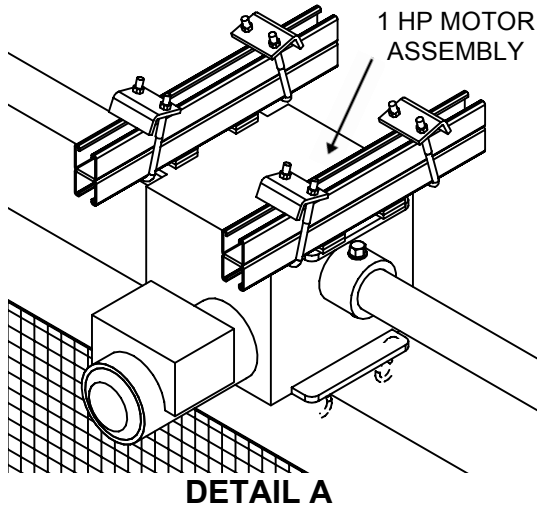




FC-680P PERIMETER FOLD-UP DIVIDER CURTAIN



OFTEN THE FC-680-P IS PART OF A SERIES OF CURTAINS IN FIELD HOUSES. THE FC-680P CAN BE CUSTOMIZED AS NEEDED TO MEET THE NEEDS OF THE FACILITY.

PROJECT NAME _____

ARCHITECT _____

PROJECT NUMBER _____

CONTRACTOR _____



FC-680P

PERIMETER FOLD-UP GYMNASIUM
DIVIDER CURTAIN

© COPYRIGHT 2014 JAYPRO SPORTS, LLC. ALL RIGHTS RESERVED
THIS PRINT IS THE PROPERTY OF JAYPRO SPORTS, LLC. AND MAY
NOT BE REPRODUCED WITHOUT WRITTEN PERMISSION

www.jaypro.com
(800) 243-0533
976 Hartford Turnpike
Waterford, CT 06385 USA



CURTAIN SPECIFICATION SHEET

CURTAIN

The FC-680P curtain is a perimeter fold-up curtain ideal for completely following the inside or outside perimeter of running tracks within multi-use facilities and field houses. The curtain is available in the following conditions:

- Solid lower section and mesh upper section (recommended)
- All solid
- All mesh

Lower section of curtain shall be 18 oz. solid vinyl coated polyester (per square yard). Vinyl shall be washable and resistant to fade, rot, mildew, and fungus. Vinyl shall have fire retardant ratings to meet all requirements of NFPA 701 (Test Method 2), ASTM-E-84-Class A, and State of California test requirements. All seams to be electronically RF welded vertically with a full 1" contact weld for resistance to tearing and breakaway. Outer edge hems shall be triple turned with double welds. An 8" padded pocket shall be formed along the bottom edge of the curtain to accommodate a 1-1/4" nominal (1.66" Ø) bottom batten. Color and height of vinyl shall be as specified by the owner.

Upper section of curtain shall be 9 oz vinyl coated woven polyester mesh (per square yard). Mesh shall be washable and resistant to fade, rot, mildew, and fungus. Mesh shall have fire retardant ratings to meet all requirements of NFPA 701 (Test Method 2), State of California test requirements, and Federal Standard 191 (5903.2) (Method Vertical). All seams to be electronically RF welded vertically with a full 1" contact weld for resistance to tearing and breakaway. Outer edge hems shall be triple turned with double welds. A 6" pocket shall be formed to accommodate a 1-1/4" nominal (1.66" Ø) top batten pipe for curtain support. Pocket shall be formed with solid vinyl in triple thickness and double welded to the top edge of the mesh. Color of mesh shall be as specified by the owner.

LIFTING MECHANISM AND SUPPORT STRUCTURE

Curtain shall be hoisted using 1/8" diameter steel aircraft cable (1800# break strength) which is secured to both the top and bottom batten. The cable is weaved through "D" rings spaced 18" O/C. Curtain shall fold to one side only (preferably the outside) of the curtain centerline. Hoist cable lines shall be placed symmetrically at 9'-3" O/C across the width of the curtain and 6" inward from the edges of the vinyl and are constrained using cable spool guides. Single hoist cable "Clew" system shall not be approved as equal.

The drive system shall consist of a 1HP 110VAC 60hz Single-phase compensating type instantly reversible winch. Winch shall be capacitor start with built in thermal overload protection. Winch shall be direct drive, self lubricating gearing and require neither belts nor oil baths. Winch shall have unique built-in POSILOK™ over-speed arrest system. Winch shall be Jaypro model CW1800. Drive pipe shall consist of 2-3/8" OD galvanized pipe and shall be supported with hanger/rollers. The support assemblies shall be spaced approximately 12" from the cable guides along the length of the drive pipe. The drive pipe shall pass through and be secured to the winch drum and rest and rotate on the support assembly rollers. The top batten of the curtain shall be supported from the underside of the support assembly No. 2/0 coil proof chain. Suspension from existing roof structure must be accomplished with clamp style fittings furnished by the manufacturer.

CONTROL OPTIONS

Winch shall be provided standard with a three-position momentary contact key switch and polished wall plate. Switch shall fit into a device box supplied by others (3" x 2-1/4" x 2-1/2" H x W x D). Integral upper and lower limit switches shall control the upper and lower travel of the curtain. Optional control of the curtain can be accomplished with the following systems:

- ETEC Easy Touch Equipment Controller (*Refer to ETEC Specification Sheet*)
- MEC PAD Master Equipment Controller (*Refer to MEC-99 Specification Sheet*)
- TMX-DRX Wireless Radio Remote (*Refer to TMX-DRX Specification Sheet*)

Ground all devices per the National Electric Code (NEC). All wire and wiring to be supplied by other and installed by a qualified Electrical Contractor. Wiring to be in accordance with all national and local electrical codes.

COLOR OPTIONS

18 oz. Vinyl: White / Black / Grey / Red / Maroon / Yellow / Dark Royal Blue / Marine Blue / Forest Green / Kelly Green / Beige / Orange

22 oz. Vinyl: Grey / Dark Royal Blue / Red

9 oz. Mesh: White / Black / Grey / Red / Yellow / Blue & Black Weave

WARRANTY

The total curtain system shall be guaranteed against defects in material and workmanship for a period of one (1) year. Other components may be covered by their own extended warranty.