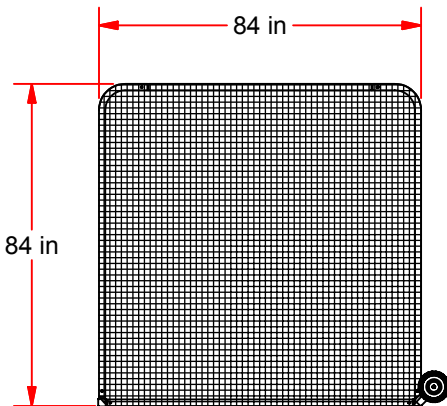
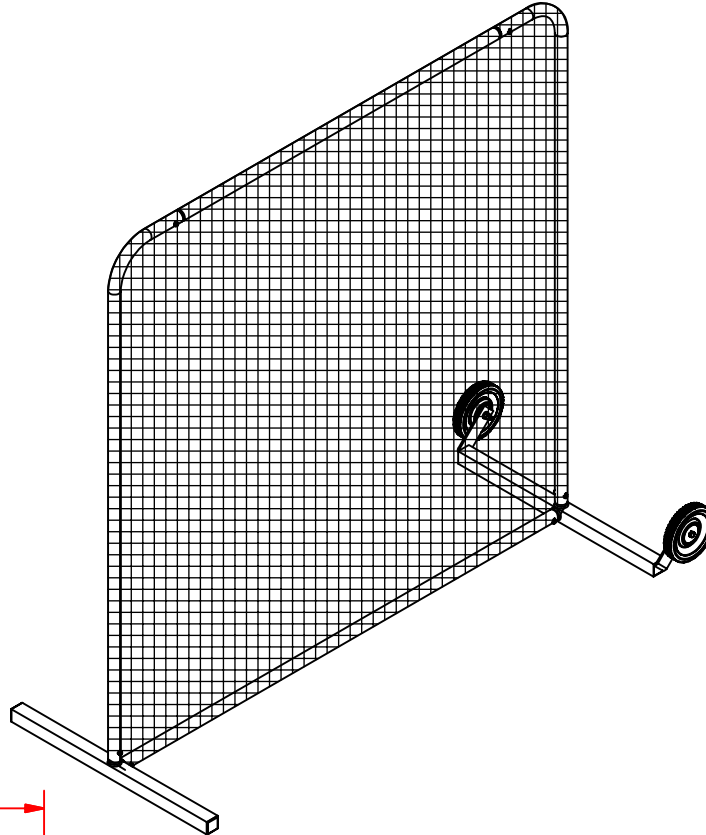


# MODEL FS-77

7' x 7' Collegiate Fielder's Screen

**FEATURES:**

- HEAVY GAUGE 1-5/8 in OD GALVANIZED STEEL TUBING
- HEAVY DUTY 2 in SQUARE GALVANIZED STEEL LEGS PROVIDE A RIGID STABLE BASE
- POWDER COATED IN AN ATTRACTIVE GREEN FINISH
- NETTING IS BLACK #42 KNOTLESS NYLON DOUBLE SIDED SLIP ON NET
- TWO 8 in DIAMETER WHEELS FOR EASY TRANSPORTATION



**Provides required protection for players during batting and fielding practice.**

OPTIONAL EQUIPMENT:  
-REPLACEMENT SCREEN AVAILABLE

REV.	DESCRIPTION	DATE	BY
-		DATE ME	don

**7' x 7' COLLEGIATE  
FIELDER'S SCREEN**

COPYRIGHT 2006  
JAYPRO SPORTS, LLC.  
ALL RIGHTS RESERVED

THIS PRINT IS THE PROPERTY OF JAYPRO SPORTS, LLC.  
AND MAY NOT BE REPRODUCED WITHOUT WRITTEN PERMISSION

www.jaypro.com



**FAX:** 860.444.1779 (SALES)  
860.440.0628 (ENG.)

**PHONE:** 800.243.0533 (TOLL FREE)  
860.447.3001 (LOCAL)

JAYPRO SPORTS, LLC, 976 HARTFORD TURNPIKE, WATERFORD, CT 06385 USA

DRAWING NAME / PART NUMBER: <b>FS-77</b>	
DRAWN BY: DRL	ISSUE DATE: 7/27/2011
CHK'D BY: WVB	CHK DATE:
SHEET: 1 OF 1	REV. -