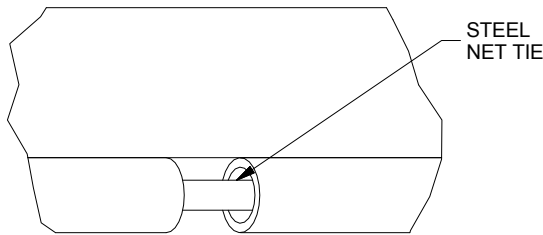
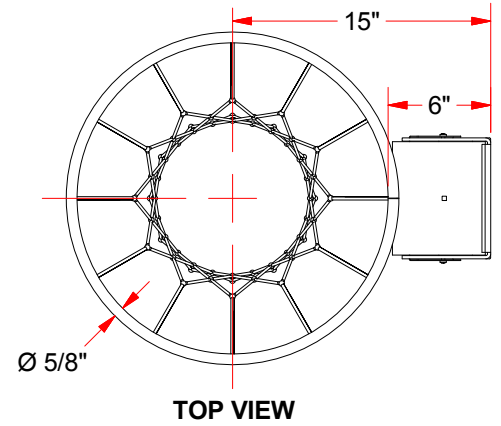
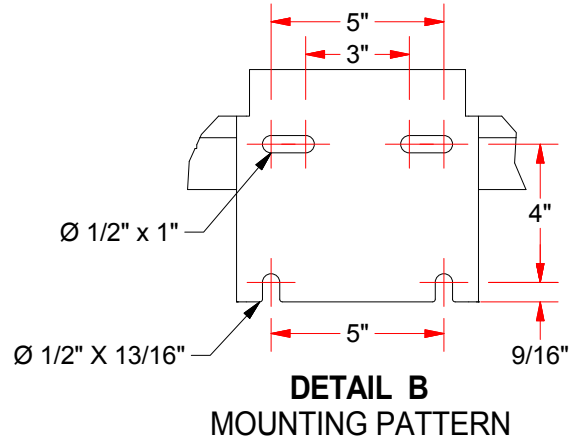
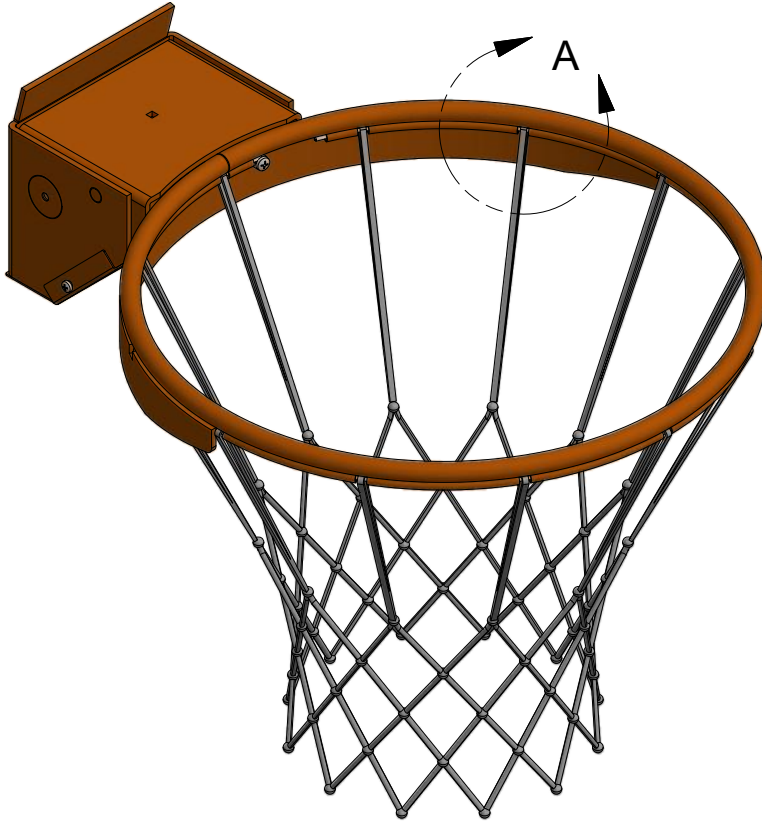
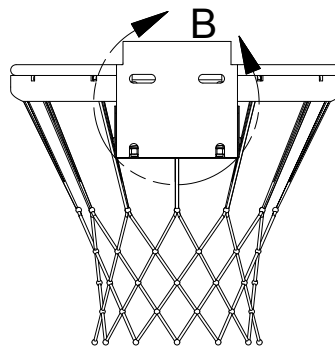




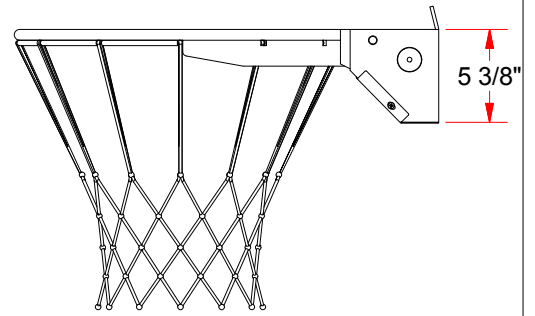
GBA-600 - COMPETITION PRO BREAKAWAY GOAL



DETAIL A
HIDEAWAY NET
ATTACHMENT SYSTEM
(12 PLACES)



BACK VIEW



SIDE VIEW

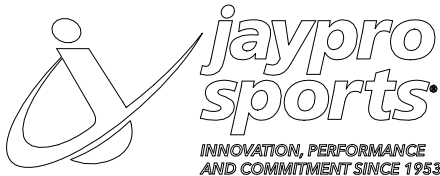
PROJECT NAME _____

PROJECT NUMBER _____

ARCHITECT _____

CONTRACTOR _____

NOTES _____



GBA-600

COMPETITION PRO BREAKAWAY GOAL

© COPYRIGHT 2015 JAYPRO SPORTS, LLC. ALL RIGHTS RESERVED
THIS PRINT IS THE PROPERTY OF JAYPRO SPORTS, LLC. AND MAY
NOT BE REPRODUCED WITHOUT WRITTEN PERMISSION

www.jaypro.com
(800) 243-0533
976 Hartford Turnpike
Waterford, CT 06385 USA

Sheet 1 of 2



SPECIFICATION SHEET

Official Basketball Goal is manufactured to meet all NCAA and NFSA regulations. 18" inside diameter ring is manufactured out of 5/8" diameter steel rod. Bracing of the ring is by 3/16" die cut steel brace welded to the underside of the ring. Hideaway net attachment system located on the underside of the ring to secure the anti-whip net (included). Hideaway system consists of a series of series of tubes welded to the underside of the 5/8" ring with an 1/8" steel net tie revolved through the tubes and net. Hideaway net system provides maximum player safety and a sleek net attachment.

The ring shall be attached to a positive lock pressure release mechanism that allows the ring to release when someone "slam dunks" the ball or hangs on the ring. The mechanism also absorbs the energy associated with those actions. The goal is pre-set to 180 lbs - 230 lbs. The mechanism is completely field adjustable and can be easily set to provide rebound characteristics that are identical characteristics of non-movable rings per NCAA recommendations. Adjustment pin and wrench included.

The attachment flange shall position the inside of the ring 6" from the face of the backboard. The complete goal shall be finished in a durable orange finish. Complete with mounting hardware, the GBA-600 incorporates a universal mounting plate that adapts to the majority of 42" backboards sold.

WARRANTY

The GBA-600 Competitor Pro Breakaway Goal shall have a limited warranty for a period of (3) three years.