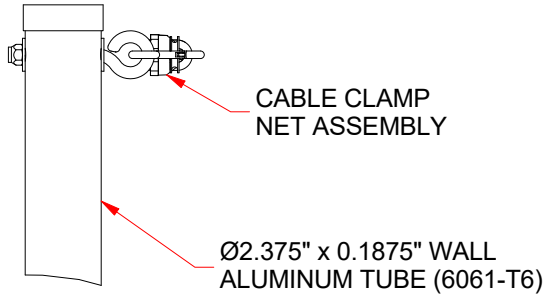
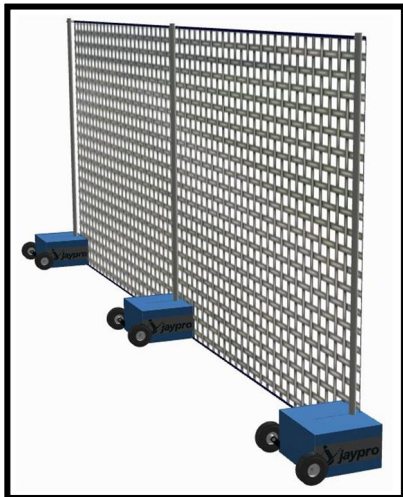




PFN-12 12 FT PORTABLE FIELDPRO NETTING



DETAIL A



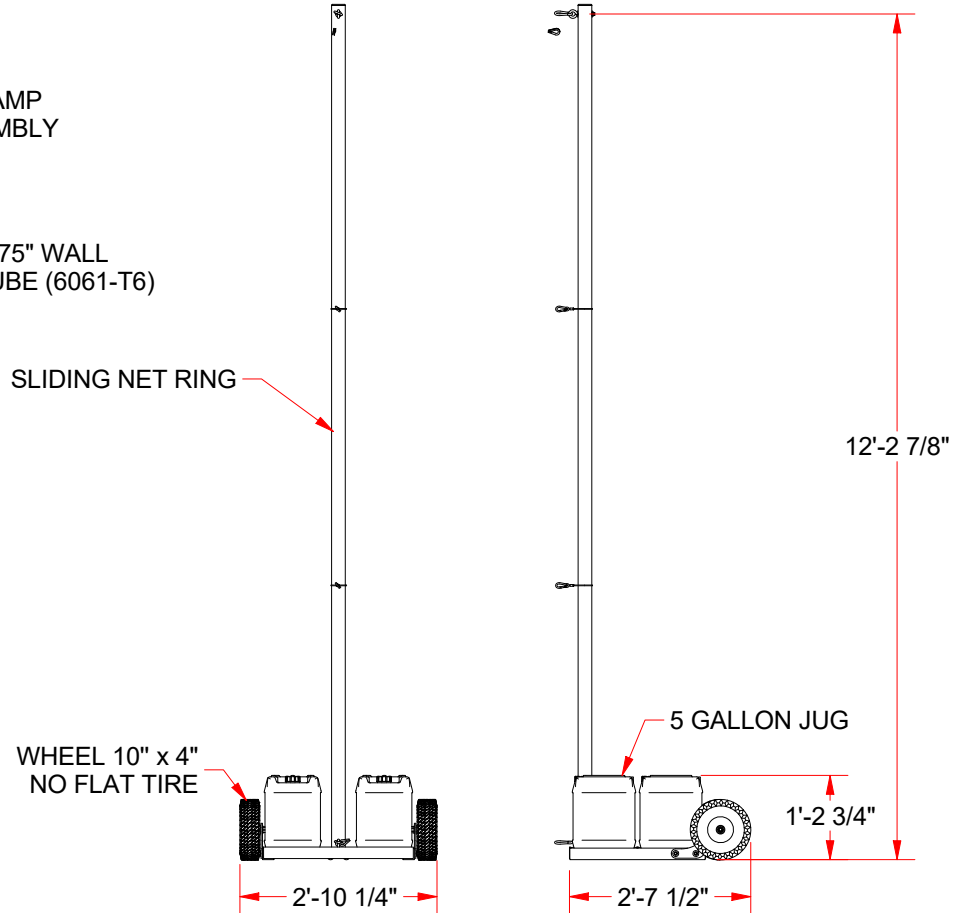
OPTIONAL COVER W/ LOGO
(SOLD SEPARATELY P/N: PFN-BCVR)

FEATURES:

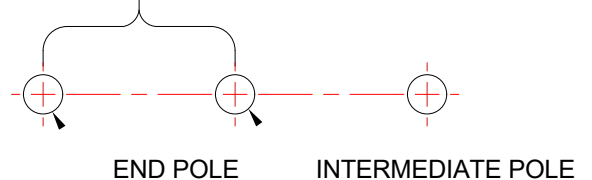
- * Ø2.375" x 0.1875" WALL LONG ALUMINUM TUBE (6061-T6)
- * MILL FINISH OR POWDER COAT BLACK
- * OPTIONAL COVER (SOLD SEPARATELY)
- * CORROSION RESISTANT HARDWARE
- * WHEEL 10" x 4" NO FLAT TIRE
- * (4) 5 GALLON JUGS
- * MAX POLE TO POLE SPACING OF 20 FT

NETTING OPTIONS:

- * MULTI-SPORTS 1-3/4" x #36 KNOTTED NYLON SQ. MESH, UV TREATED WITH 1/4" ROPE BORDER
- * SOCCER / FOOTBALL 3-1/2" x #36 KNOTTED NYLON SQ. MESH, UV TREATED WITH 1/4" ROPE BORDER
- * 1-3/4" KNOT-LESS HTPP SQ. MESH, UV TREATED WITH 1/4" ROPE BORDER
- * 4" KNOT-LESS HTPP SQ. MESH, UV TREATED WITH 1/4" ROPE BORDER



POLE SPACES = NUMBER OF POLES - 1



Example 1: A net system that is 72 ft long will require 5 poles.
The spacing between poles will be 18 ft. (72 / (5-1) = 18)



PFN-12

12 FT PORTABLE FIELDPRO NETTING

© COPYRIGHT 2017 JAYPRO SPORTS, LLC. ALL RIGHTS RESERVED
THIS PRINT IS THE PROPERTY OF JAYPRO SPORTS, LLC. AND MAY NOT BE REPRODUCED WITHOUT WRITTEN PERMISSION

www.jaypro.com
(800) 243-0533
976 Hartford Turnpike
Waterford, CT 06385 USA