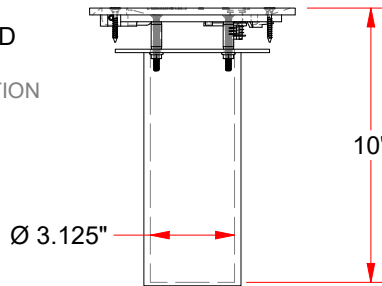


NOTE: MODIFYING FASTENERS ARE REMOVED AFTER INSTALLATION IN FLOATING WOOD FLOORING

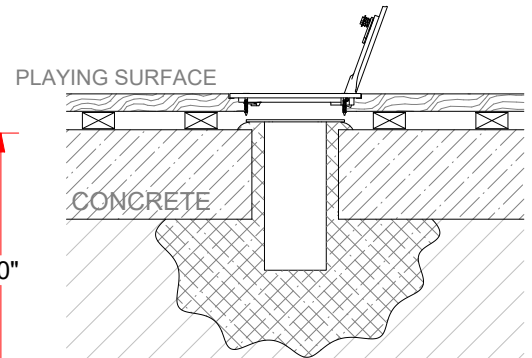


DETAIL A

SHOWN AT ANGLE FOR CLARITY



SIDE VIEW (HIDDEN SHOWN)



EXAMPLE INSTALLATION FLOATING WOOD FLOOR

VOLLEYBALL GROUND SLEEVE FEATURES:

- DISTRIBUTED AS PAIR
- HEAVY DUTY CONSTRUCTION - CAST BRASS FINISH COVER
- DESIGN PREVENTS DEAD SPOTS IN FLOORING BY MEANS OF SPRING LOADED COVER WITH LOCK
- UPRIGHT SLEEVE ACCOMMODATES UPRIGHTS UP TO Ø 3.0"

PVB-70S INCLUDES:

QTY	DESCRIPTION
1	BRASS COVER PLATE
4	BRASS SCREWS
1	SET MODIFYING FASTENERS
1	UPRIGHT SLEEVE

PROJECT NAME _____

ARCHITECT _____

PROJECT NUMBER _____

CONTRACTOR _____