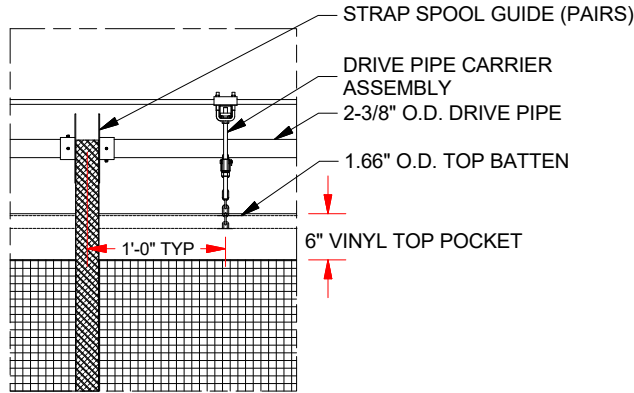
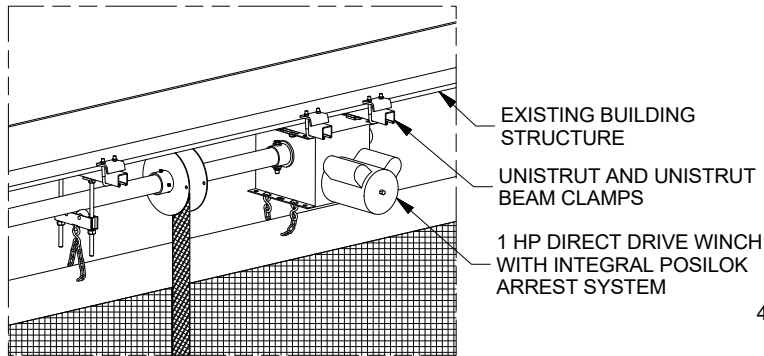




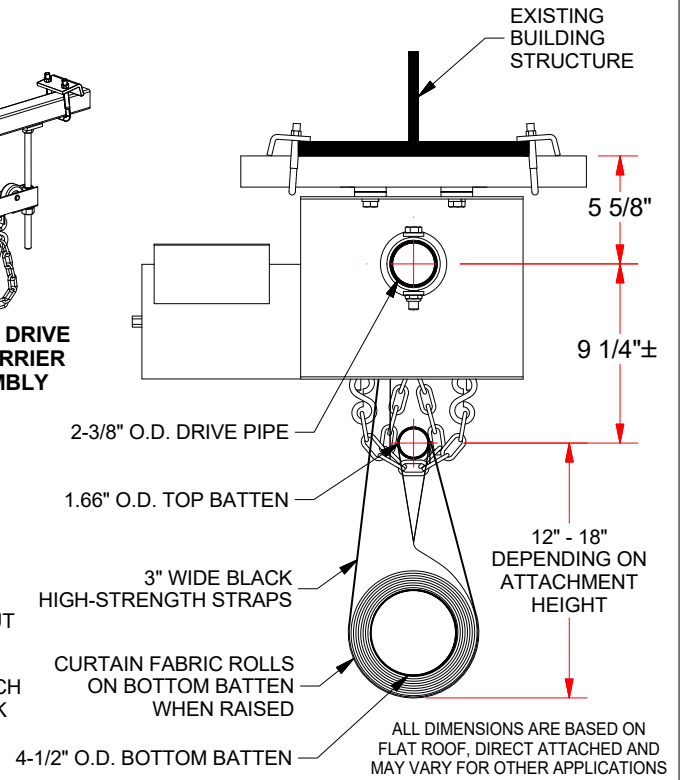
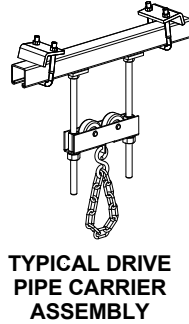
# RC-690 - ROLL-UP GYMNASIUM DIVIDER CURTAIN



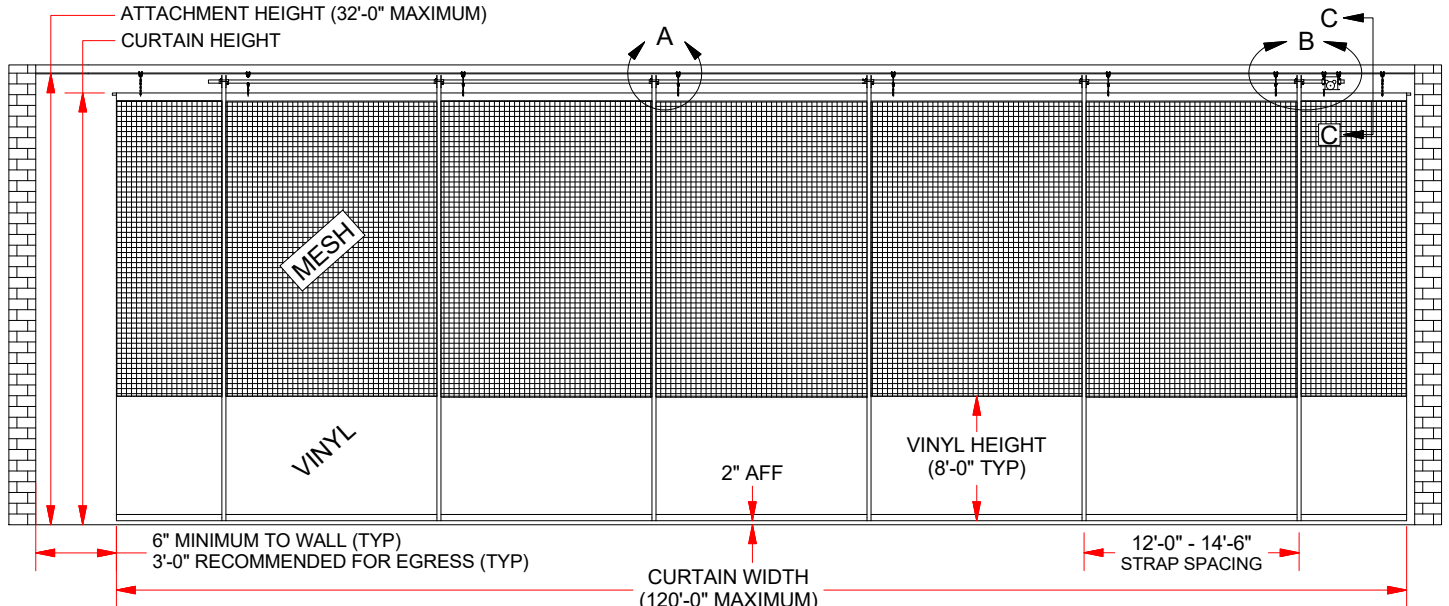
**DETAIL A**



**DETAIL B**



**SECTION C-C FOLDED VIEW**



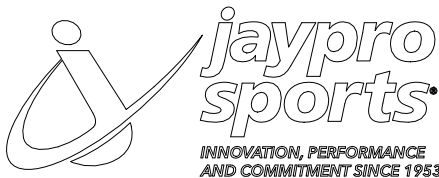
**FRONT VIEW**

PROJECT NAME \_\_\_\_\_

ARCHITECT \_\_\_\_\_

PROJECT NUMBER \_\_\_\_\_

CONTRACTOR \_\_\_\_\_



## RC-690

ROLL UP GYMNASIUM DIVIDER CURTAIN

© COPYRIGHT 2017 JAYPRO SPORTS, LLC. ALL RIGHTS RESERVED  
 THIS PRINT IS THE PROPERTY OF JAYPRO SPORTS, LLC. AND MAY NOT BE REPRODUCED WITHOUT WRITTEN PERMISSION

www.jaypro.com  
 (800) 243-0533  
 976 Hartford Turnpike  
 Waterford, CT 06385 USA



# RC-690 - ROLL-UP GYMNASIUM DIVIDER CURTAIN

## CURTAIN SPECIFICATION SHEET

### **CURTAIN**

The RC-690 is a ceiling suspended roll-up divider curtain and is available in the following conditions:

- Solid Lower Section and Mesh Upper Section (Recommended)
- All Solid
- All Mesh

Lower section of curtain shall come standard with 22 oz. solid vinyl coated polyester (per square yard). Vinyl shall have fire retardant ratings to meet all requirements of NFPA 701, ASTM E84 Class A, and California State Fire Marshall (CSFM) Title 19 test requirements. All seams to be electronically RF welded with a full 1" contact weld for resistance to tearing and breakaway. Outer edge hems shall be turned and welded. Color and height of vinyl shall be as specified by the owner.

Upper section of curtain shall be 9 oz. vinyl coated woven polyester mesh (per square yard). Mesh shall be washable and resistant to fade, rot, mildew, and fungus. Mesh shall have fire retardant ratings to meet all requirements of NFPA 701 and California State Fire Marshall (CSFM) Title 19 test requirements. All seams to be electronically RF welded with a full 1" contact weld for resistance to tearing and breakaway. Outer edge hems shall be turned and welded. A 6" pocket shall be formed to accommodate a 1-1/4" nominal (1.66" O.D.) top batten pipe for curtain support. Pocket shall be formed with solid vinyl to the top edge of the mesh. Color of mesh shall be as specified by the owner.

### **LIFTING MECHANISM AND SUPPORT STRUCTURE**

Curtain shall be raised and lowered by means of rolling the curtain onto the 4-1/2" OD bottom batten. Curtain rolling action shall be achieved by nylon hoist belts being wound onto the 2-3/8" OD drive pipe and constrained with spool guides. Hoist belts shall be 3" wide polyester webbing with a thermoplastic polyurethane coating offering a tensile strength of 6000 pounds per belt. Belts shall be spaced approximately 12'-14' on center. Hoist belts are directly attached to the drive pipe, travel under the bottom batten, and attached directly to the top batten. **The use of belts, counter balance straps, wall guides, or cables shall not be acceptable and will not be approved as equal.**

The drive system shall consist of a 1HP 110VAC 60 Hz Single-phase compensating type instantly reversible winch. Winch shall be capacitor start with built-in thermal overload protection. Winch shall be direct drive, self-lubricating gearing and require neither belts nor oil baths. Winch shall have unique built-in POSILOK TM over-speed arrest system. **Winch without such arrest system, also known as curtain lock system, shall not be approved as equals.** Winch shall be Jaypro model CW-1800. Drive pipe shall consist of 2-3/8" OD galvanized pipe and shall be supported with hanger/rollers. The support assemblies shall be spaced approximately 12" from the cable guides along the length of the drive pipe. The drive pipe shall pass through and be secured to the winch drum and rest and rotate on the support assembly rollers. The top batten of the curtain shall be supported from the underside of the support assembly No. 2/0 coil proof chain. Suspension from existing roof structure must be accomplished with clamp style fittings furnished by the manufacturer.

Winch shall be provided standard with a three-position momentary contact key switch and polished wall plate. Switch shall fit into a device box supplied by others (3" H x 2-1/4" W x 2-1/2" D). Integral upper and lower limit switches shall control the upper and lower travel of the curtain. Additional operators are available and must be specified at time of order or specification. Ground all devices per the National Electric Code (NEC). All wire, conduit, boxes, and wiring to be supplied by others and installed by a qualified Electrical Contractor. All wiring of electrical components shall be in accordance with national and local electrical codes. Any damage caused by faulty wiring or electrical problems shall not be the responsibility of Jaypro Sports, LLC.

The total curtain system shall be guaranteed against defects in material and workmanship for a period of one (1) year. Other components may be covered by their own extended warranty.

### **COLOR OPTIONS**

**22 oz. Vinyl:**     RED     GRAY     DARK ROYAL BLUE

**9 oz. Mesh:**     BLACK     WHITE     GRAY     RED     YELLOW     BLUE

### **CURTAIN OPTIONS:**

- MEC2 Master Equipment Controller 2 (*Refer to MEC2 Specification Sheet*)
- ETEC Easy Touch Equipment Controller (*Refer to ETEC Specification Sheet*)
- TMX-DRX Radio Controller (*Refer to TMX-DRX Specification Sheet*)



# RC-690

[www.jaypro.com](http://www.jaypro.com) / (800) 243-0533 / 976 Hartford Tpke, Waterford, CT 06385 USA  
SUBJECT TO CHANGES IN DESIGN AND MANUFACTURING  
© COPYRIGHT 2017 JAYPRO SPORTS, LLC. ALL RIGHTS RESERVED  
Sheet 2 of 2