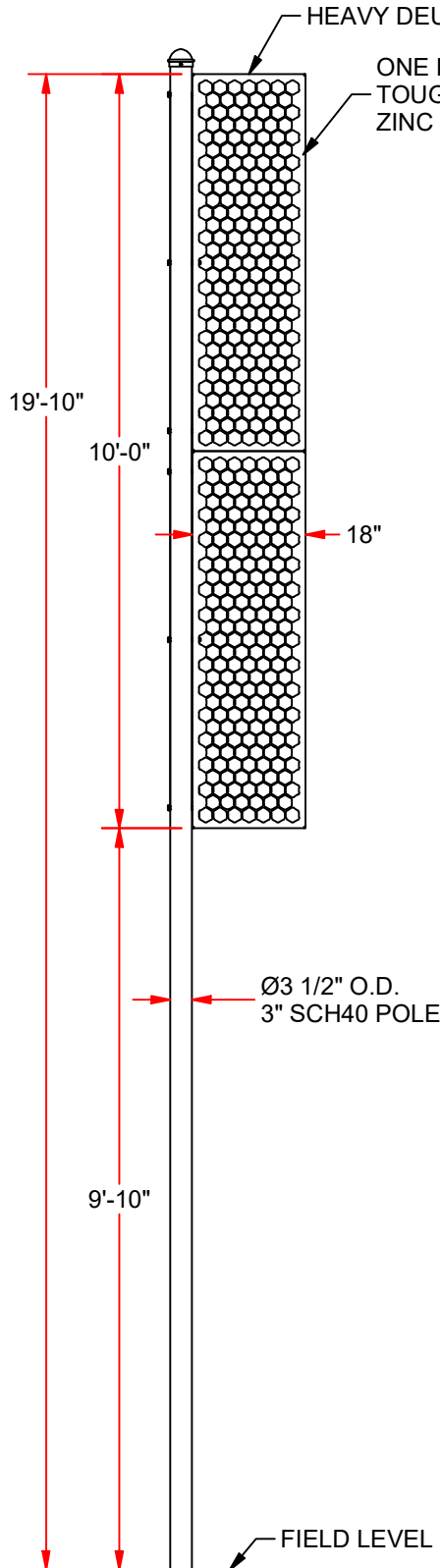




20 FT SOFTBALL FOUL POLE



FEATURES:

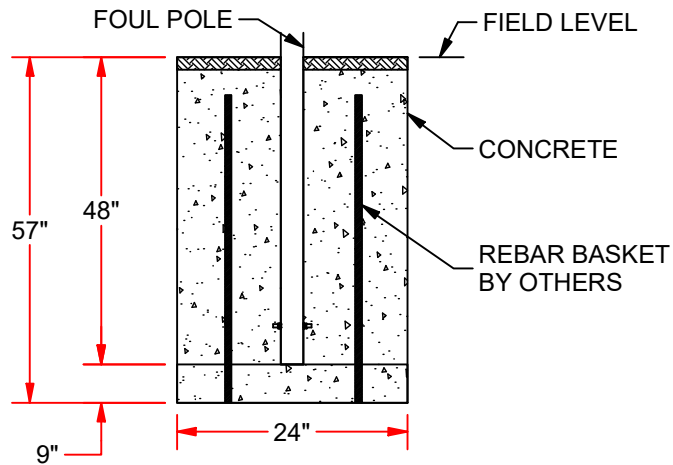
- > SEMI-PERMANENT ONE PIECE WELDED STEEL CONSTRUCTION
- > HEAVY DUTY 3-1/2" STEEL O.D. SCHEDULE 40 UPRIGHT
- > FOUL POLE DESIGNED TO WITHSTAND UP TO 150 MPH WIND
- > TYPICAL FOOTING SHOWN (BASED ON 100 MPH WIND)

POWDER COATED COLORS:

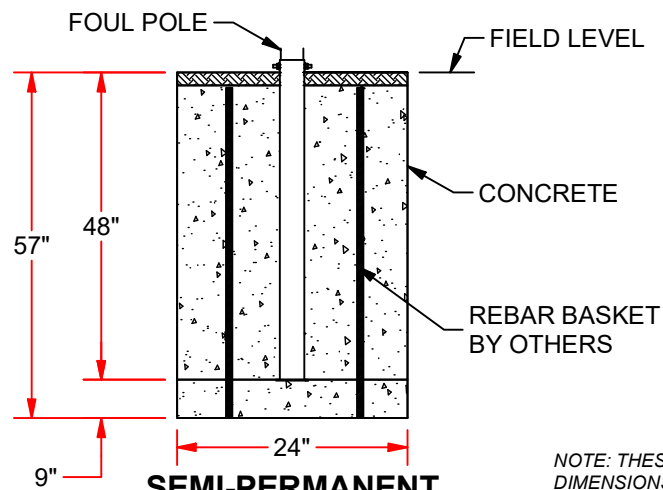
- > WHITE: SBFP-200-WT
- > ORANGE: SBFP-200-OR

OPTIONAL:

FOUL POLE MAY BE DESIGNED TO INSTALL ON TOP OF A WALL,
WHILE MAINTAINING OVERALL HEIGHT OF 20 FT ABOVE FIELD LEVEL.



PERMANENT FOOTING



SEMI-PERMANENT GROUND SLEEVE (P/N: FPS-20)

NOTE: THESE ARE SUGGESTED
DIMENSIONS FOR AVERAGE
SOIL CONDITIONS, CONSULT
LOCAL BUILDING CODES.



SBFP-200

20 FT SOFTBALL FOUL POLE

© COPYRIGHT 2017 JAYPRO SPORTS, LLC. ALL RIGHTS RESERVED
THIS PRINT IS THE PROPERTY OF JAYPRO SPORTS, LLC. AND MAY
NOT BE REPRODUCED WITHOUT WRITTEN PERMISSION

www.jaypro.com
(800) 243-0533
976 Hartford Turnpike
Waterford, CT 06385 USA

Sheet 1 of 1