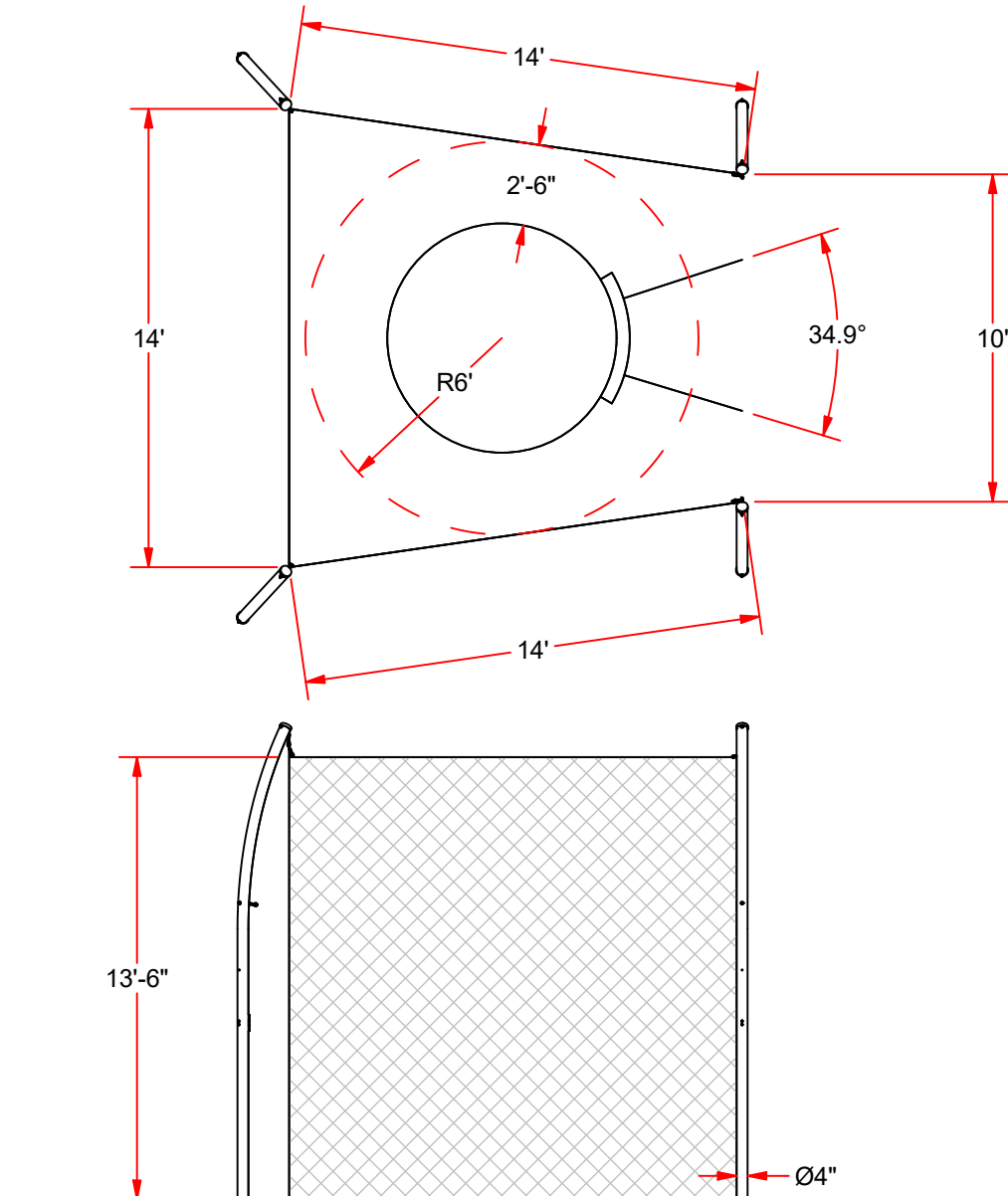




# FIELDPRO SHOT CAGE



## FEATURES:

- > ACCOMMODATES THROWING SECTOR AT 34.92
- > INDIVIDUAL SWIVEL PULLEY HOIST SYSTEM PER POLE
- > FOUR POLES ARE CURVED TO PROVIDE 2 FT OFFSET
- > 4" O.D. x 0.125" WALL ALUMINUM POLE CONSTRUCTION
- > MILL FINISH OR POWDER COAT BLACK FINISH
- > CORROSION RESISTANT HARDWARE
- > HEAVY-DUTY WEATHER TREATED 1-7/8" #42 NYLON MESH BLACK NET
- > NET BREAKING STRENGTH OF OVER 320 lbs.

## OPTIONAL:

- > REPLACEMENT NET (SC-25NET)
- > GROUND SLEEVES & COVER (SC-25S)



## SC-25

FIELDPRO SHOT CAGE

© COPYRIGHT 2017 JAYPRO SPORTS, LLC. ALL RIGHTS RESERVED  
THIS PRINT IS THE PROPERTY OF JAYPRO SPORTS, LLC. AND MAY  
NOT BE REPRODUCED WITHOUT WRITTEN PERMISSION

www.jaypro.com  
(800) 243-0533  
976 Hartford Turnpike  
Waterford, CT 06385 USA

Sheet 1 of 1